

MENABO

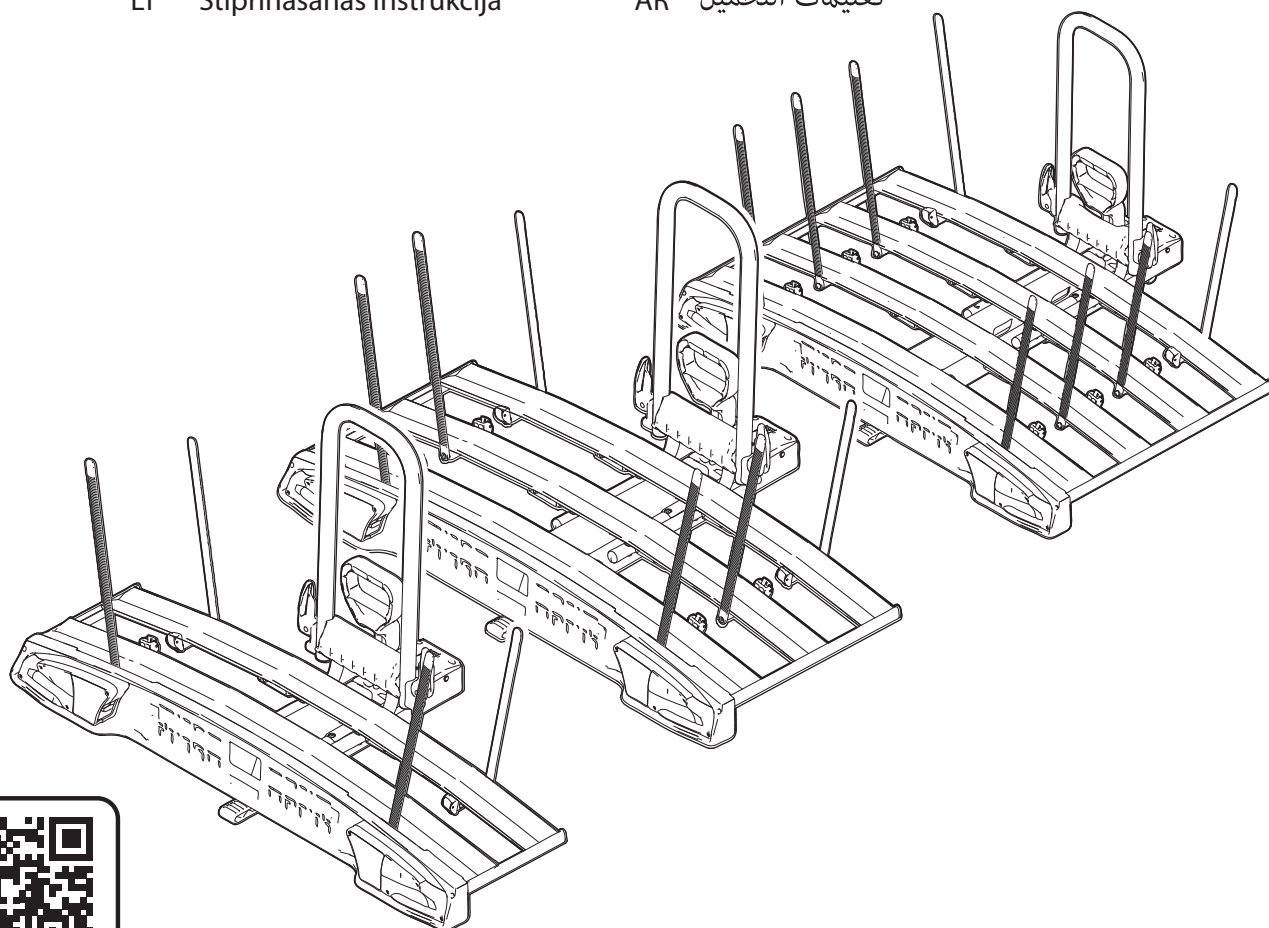
free time on the move

ALCOR 2
ALCOR 3
ALCOR 4

ACRUX 2
ACRUX 3
ACRUX 4

IT Istruzioni di montaggio
EN Fitting instructions
DE Montageanleitung
FR Instructions de montage
ES Instrucciones de montaje
CS Návod na montáž
DA Monteringsvejledning
EL Οδηγίες συναρμολόγησης
ET Paigaldusjuhend
FI Asennusohje
HR Uputa za sastavljanje
HU A felszerelés módja
LT Stiprināšanas instrukcija

LV Pritvirtinimo instrukcijos
NL Instrukcja montażu
NO Monteringsveiledning
PL Instrukcja montażu
PT Instruções de Montagem
RO Instrucțiuni de montare
RU Инструкции по установке
SK Návod na montáž
SL Navodila za pritrjevanje
SV Monteringsanvisning
TK Uydurma talimat
ZH 裝修指導
AR تعليمات التحميل



Made in Italy



**ALCOR 2
ACRUX 2**

N	[IT]Componenti (Inclusi) [EN]Components (Included) [FR]Composants (Comprises)	[DE]Die Komponenten (im Lieferumfang enthalten) [ES]Componentes (Incluido)	Q
1a			1
2			1
3		M6x30	2
4			1
5			1
6			6
7			1
8		2,5m/8.2ft	1
12		5mm/0.2"	1
13		M6	2
14		XXXX	2

N	[IT]Ricambi (A Richiesta) [EN]Spare Parts (Made to order) [FR]Pièces de rechange (Sur commande)	[DE]E Teile (auf Anfrage) [ES]Piezas de recambio (Previa solicitud)	Q	Codice-Code-Código
2			1	700036300000
3		M6x30	2	
13		M6	2	
4			1	700003200000
5			1	700003100000
6			2	700024000000
7			1	700033600000
8		2,5m/8.2ft	1	700001100000
10		dx	1	700033700000
11		sx	1	700033800000
12		5mm/0.2"	1	700025000000

**ALCOR 3
ACRUX 3**

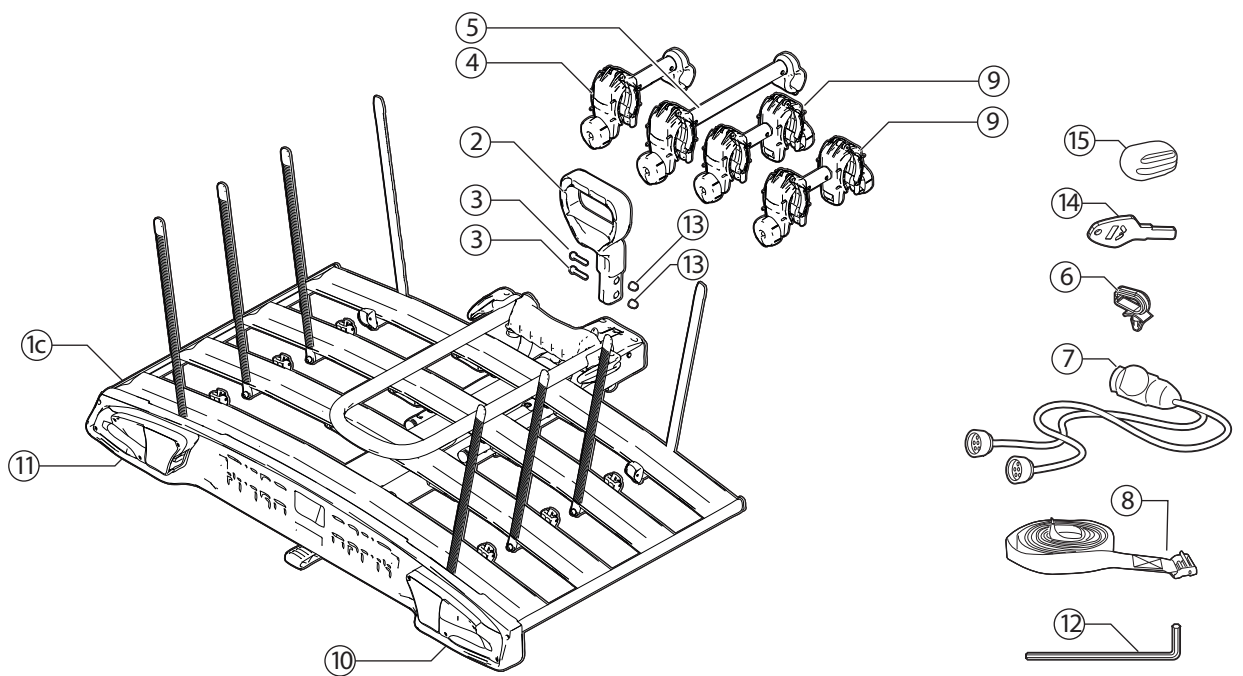
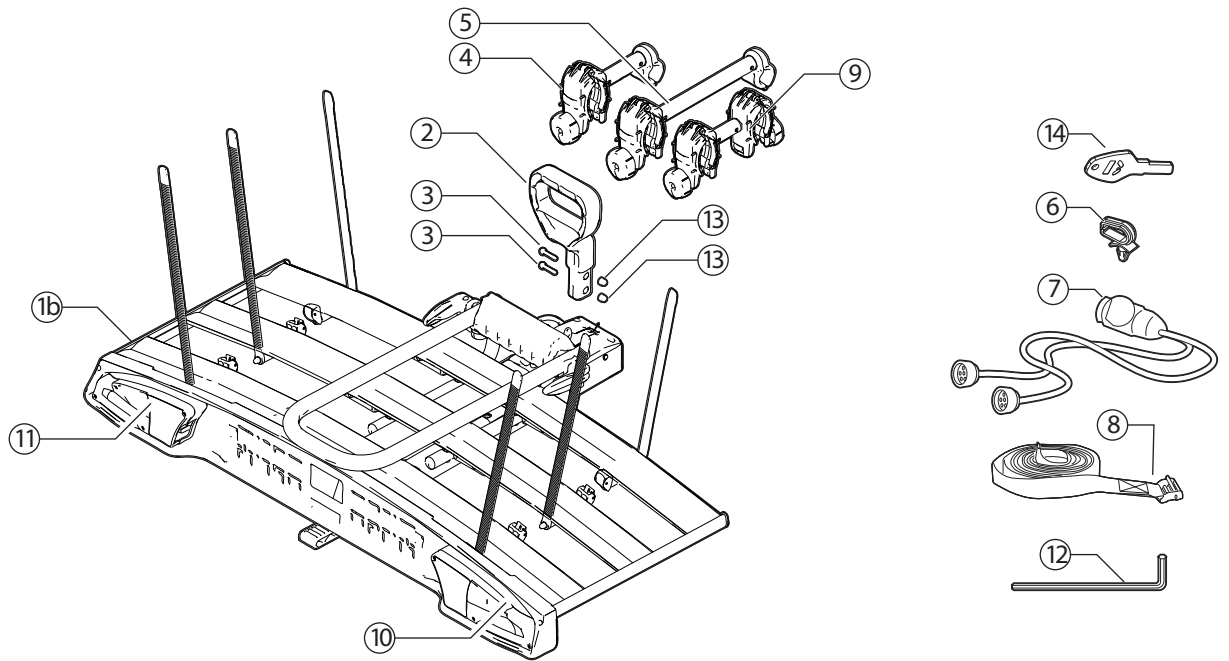
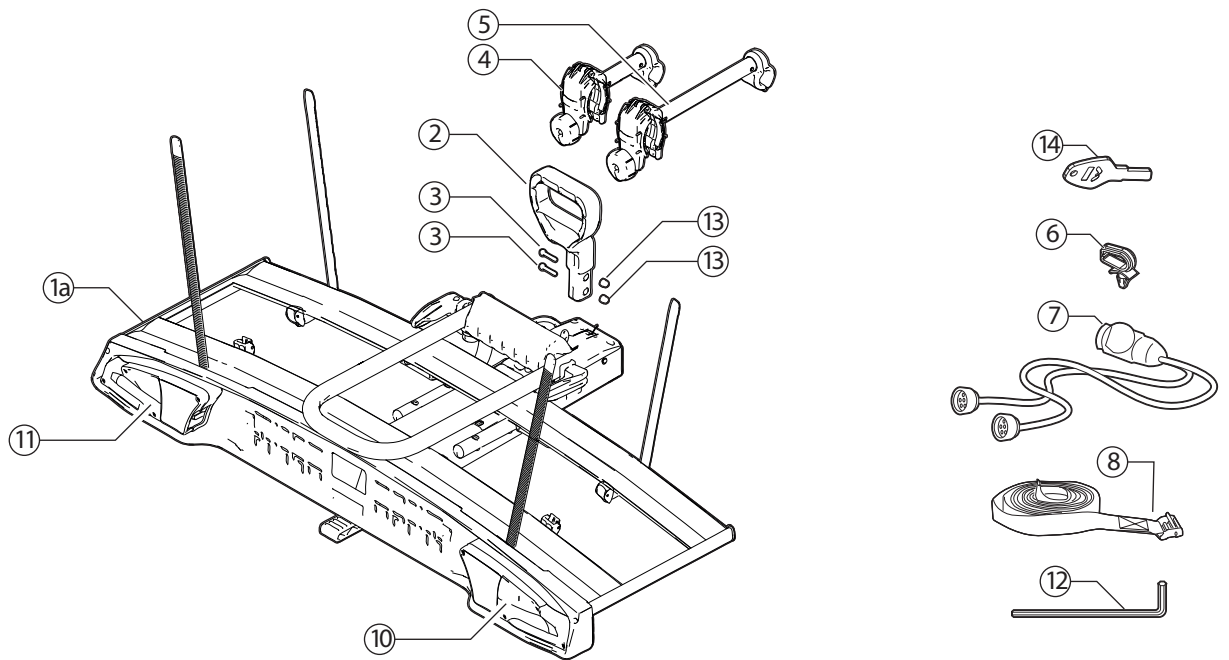
N	[IT]Componenti (Inclusi) [EN]Components (Included) [FR]Composants (Comprises)	[DE]Die Komponenten (im Lieferumfang enthalten) [ES]Componentes (Incluido)	Q
1b			1
2			1
3		M6x30	2
4			1
5			1
9			1
6			6
7			1
8		2,5m/8.2ft	1
12		5mm/0.2"	1
13		M6	2
14		XXXX	2

N	[IT]Ricambi (A Richiesta) [EN]Spare Parts (Made to order) [FR]Pièces de rechange (Sur commande)	[DE]E Teile (auf Anfrage) [ES]Piezas de recambio (Previa solicitud)	Q	Codice-Code-Código
2			1	700036300000
3		M6x30	2	
13		M6	2	
4			1	700003200000
5			1	700003100000
9			1	700006900000
6			2	700024000000
7			1	700033600000
8		2,5m/8.2ft	1	700001100000
10		dx	1	700033700000
11		sx	1	700033800000
12		5mm/0.2"	1	700025000000

**ALCOR 4
ACRUX 4**

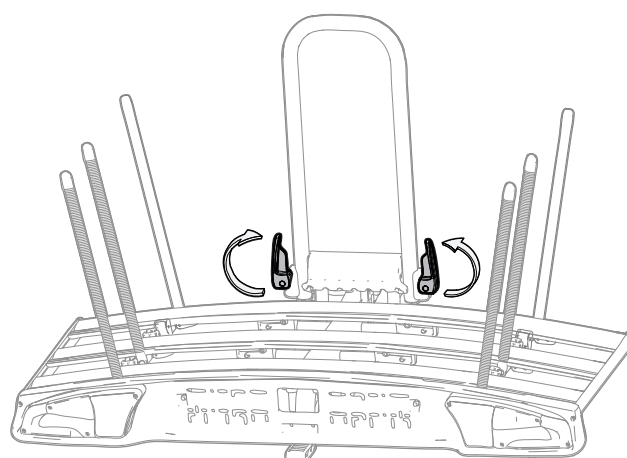
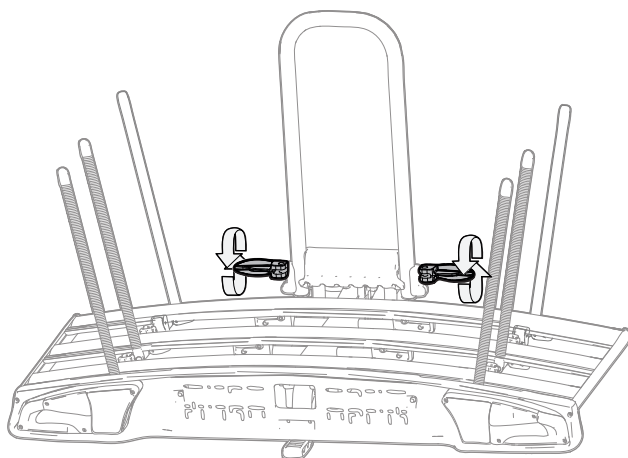
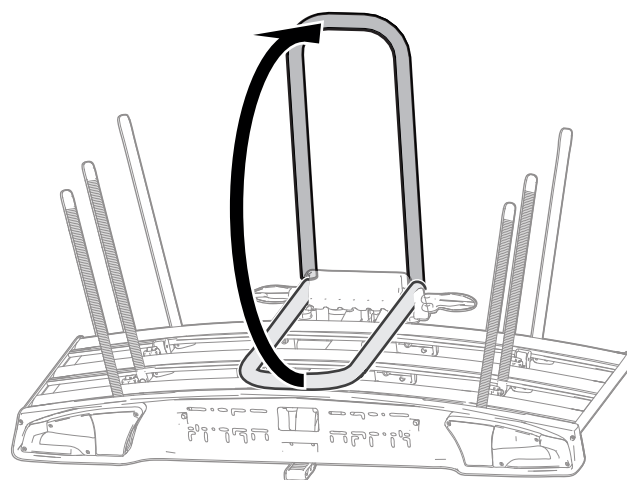
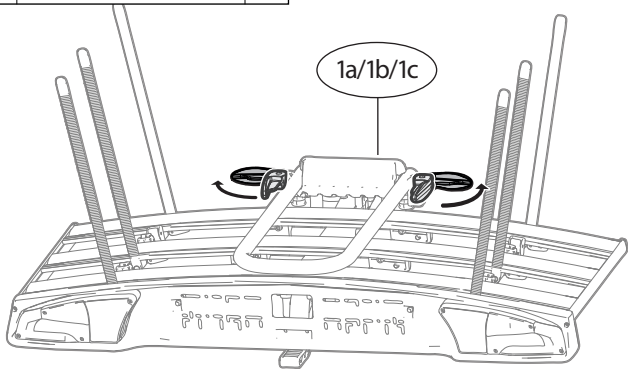
N	[IT]Componenti (Inclusi) [EN]Components (Included) [FR]Composants (Comprises)	[DE]Die Komponenten (im Lieferumfang enthalten) [ES]Componentes (Incluido)	Q
1c			1
2			1
3		M6x30	2
4			1
5			1
9			2
6			6
7			1
8		2,5m/8.2ft	3
12		5mm/0.2"	1
13		M6	2
14		XXXX	2
15			2

N	[IT]Ricambi (A Richiesta) [EN]Spare Parts (Made to order) [FR]Pièces de rechange (Sur commande)	[DE]E Teile (auf Anfrage) [ES]Piezas de recambio (Previa solicitud)	Q	Codice-Code-Código
2			1	700036300000
3		M6x30	2	
13		M6	2	
4			1	700003200000
5			1	700003100000
9			2	700006900000
6			2	700024000000
7			1	700033600000
8		2,5m/8.2ft	1	700001100000
10		dx	1	700033700000
11		sx	1	700033800000
12		5mm/0.2"	1	700025000000
15			4	700002600000



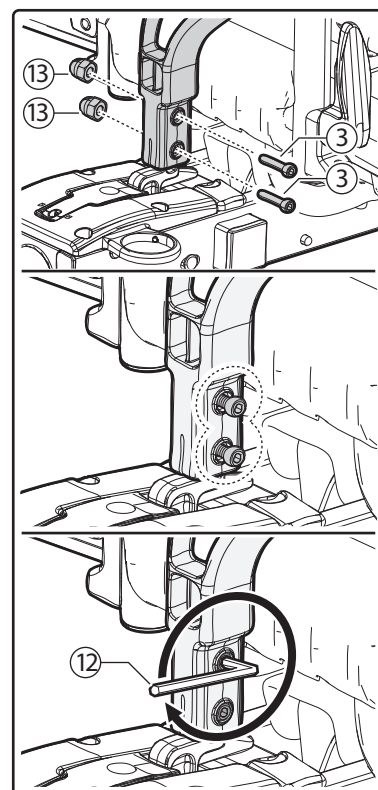
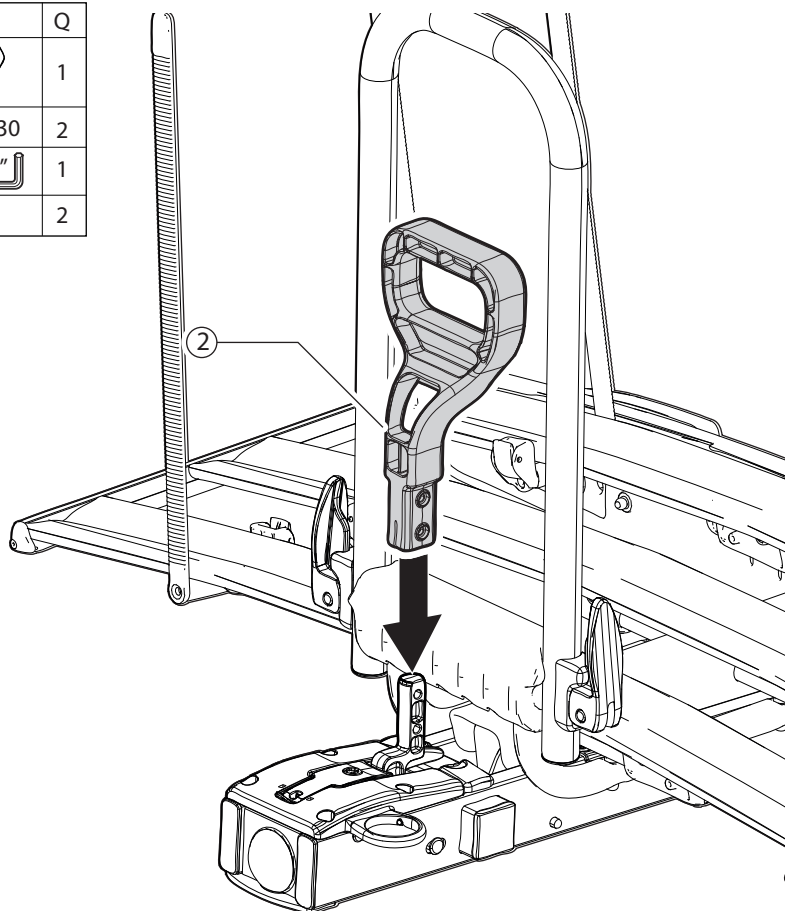
①—ALCOR 2-/ALCOR 3-/ALCOR 4-/ACRUX-2-/ACRUX-3-/ACRUX-4

N		Q
1a		1
1b		
1c		

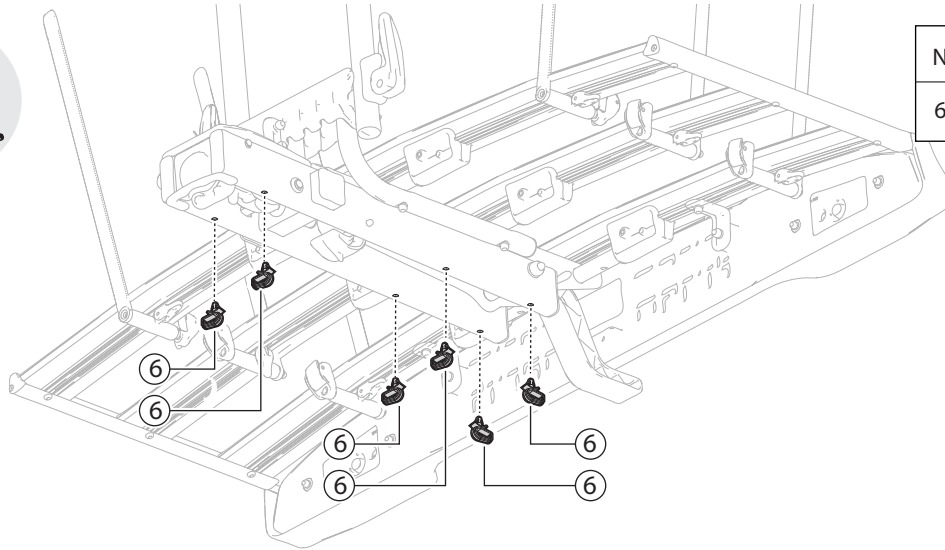


②—ALCOR 2-/ALCOR 3-/ALCOR 4-/ACRUX-2-/ACRUX-3-/ACRUX-4

N		Q
2		1
3		2
12		1
13		2

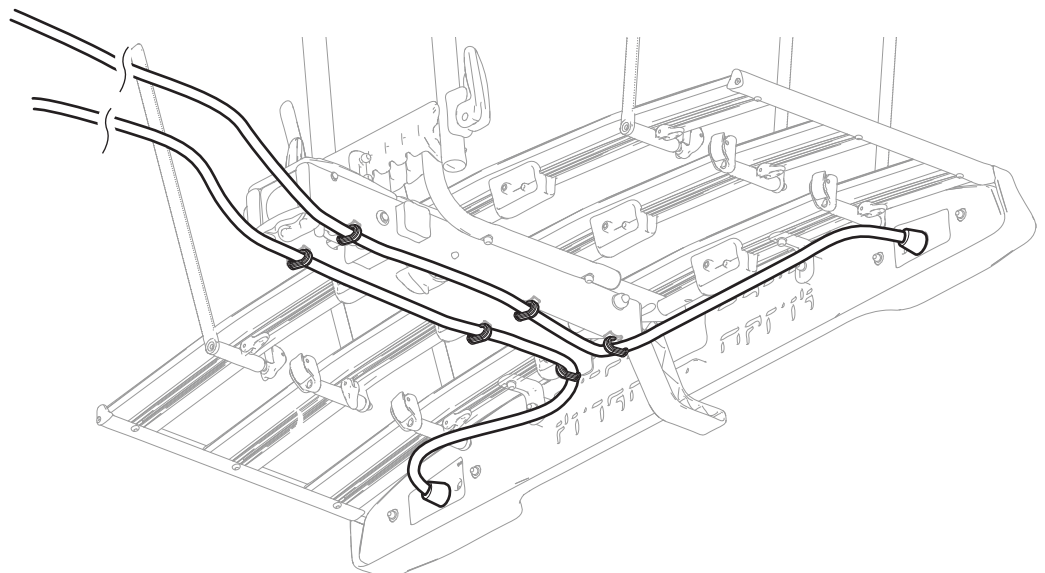
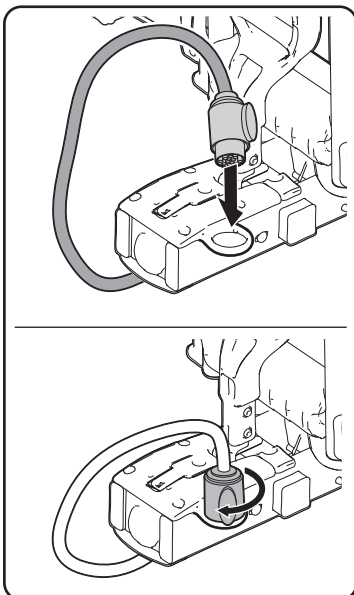
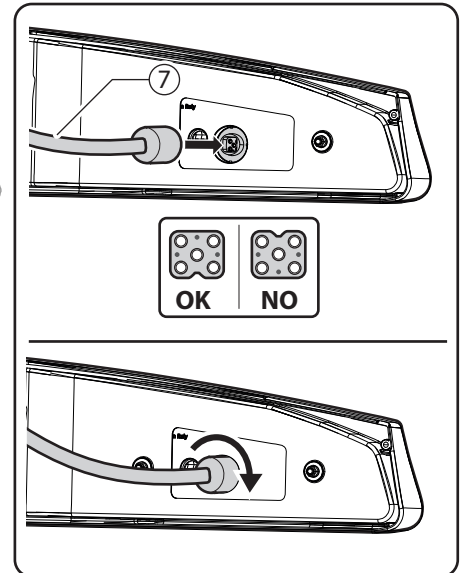
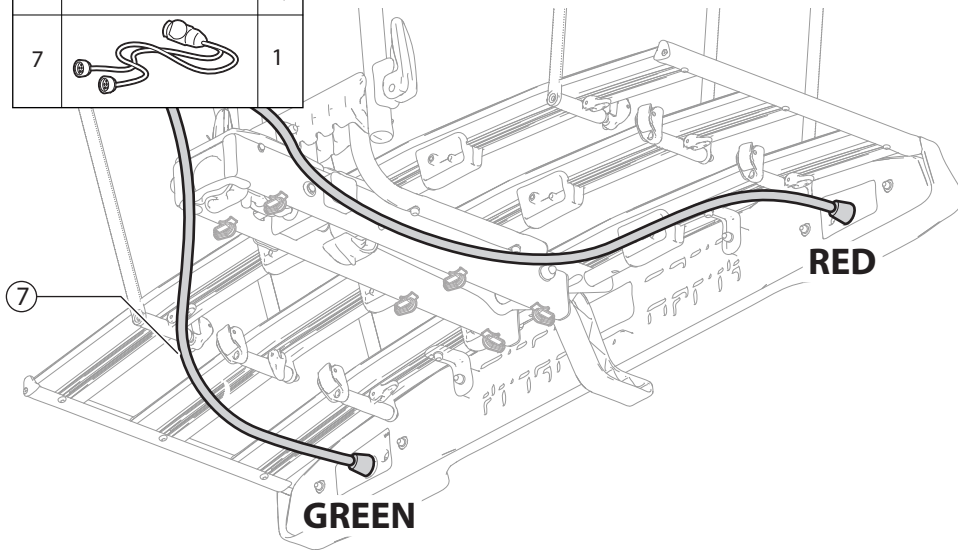


③ —ALCOR 2-/ALCOR 3-/ALCOR 4-/ACRUX 2-/ACRUX 3-/ACRUX 4—

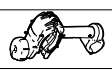



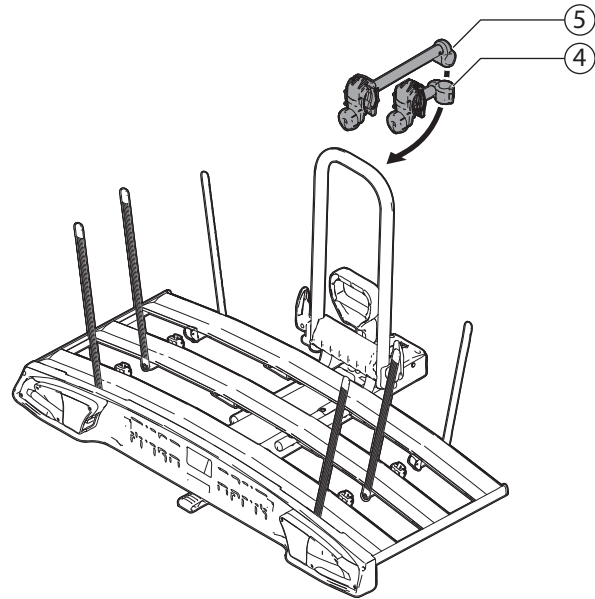
N		Q
6		6

N		Q
7		1

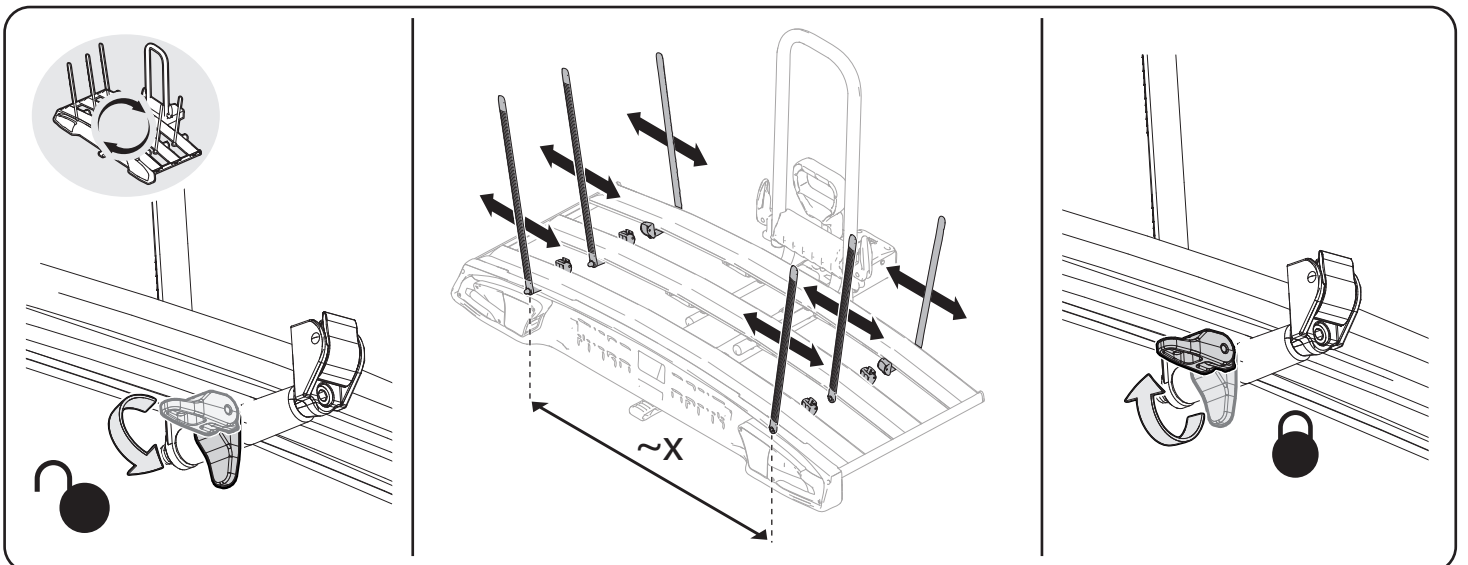
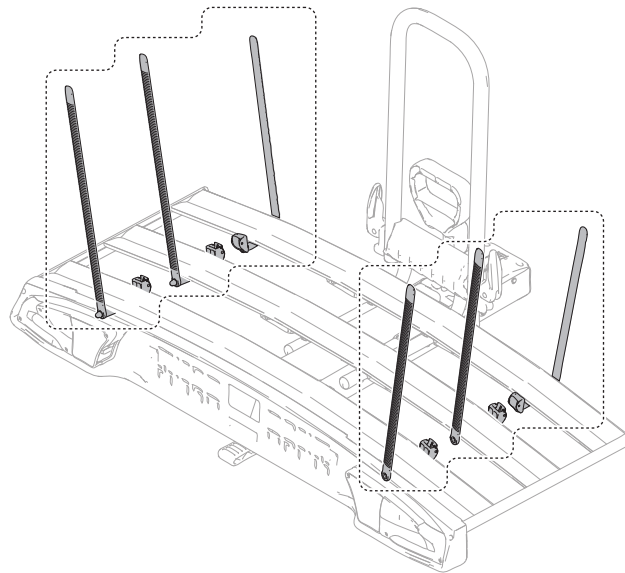
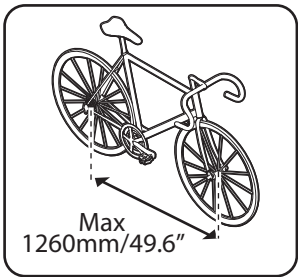


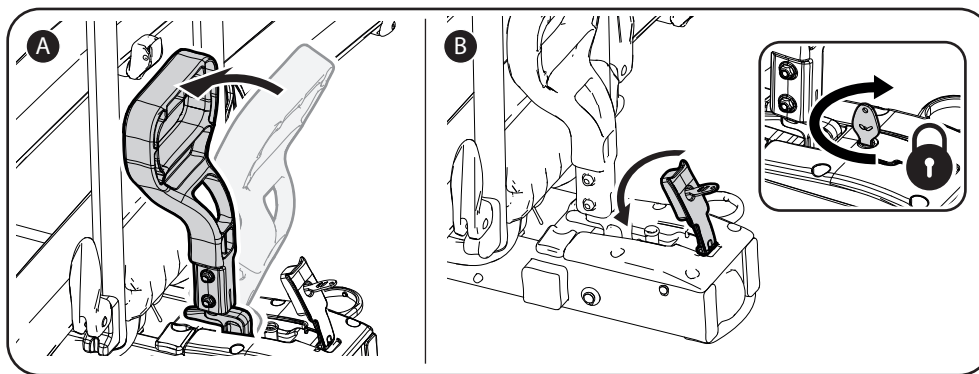
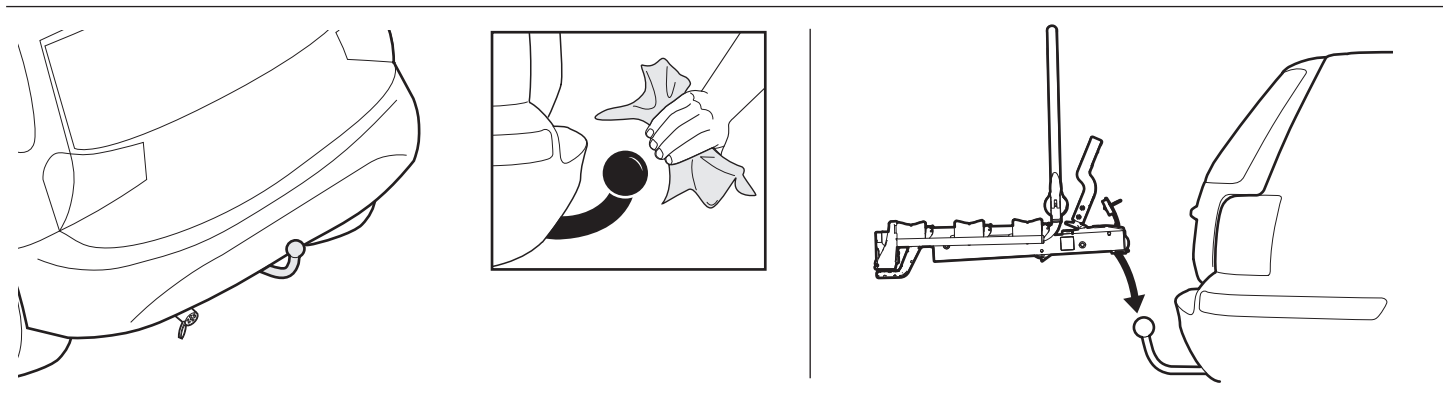
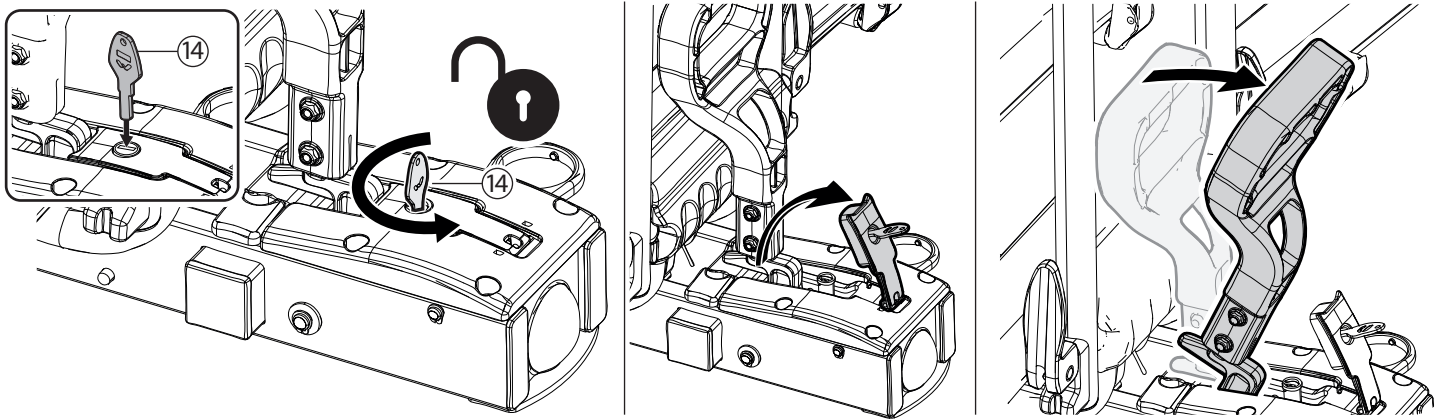
④—ALCOR 2-/ALCOR 3-/ALCOR 4-/ACRUX 2-/ACRUX 3-/ACRUX 4—

N		Q
4		1
5		1



⑤—ALCOR 2-/ALCOR 3-/ALCOR 4-/ACRUX 2-/ACRUX 3-/ACRUX 4—

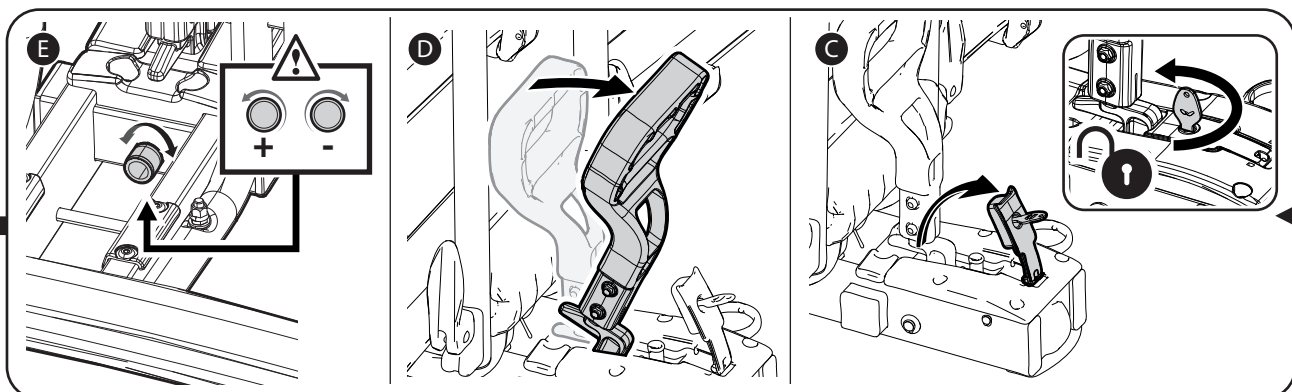


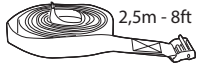



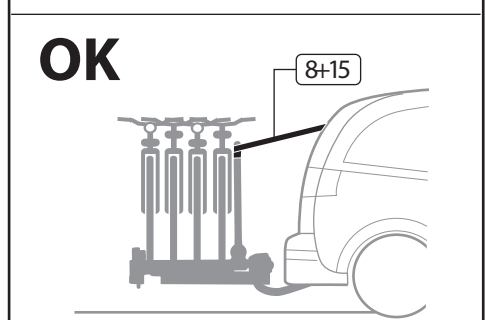
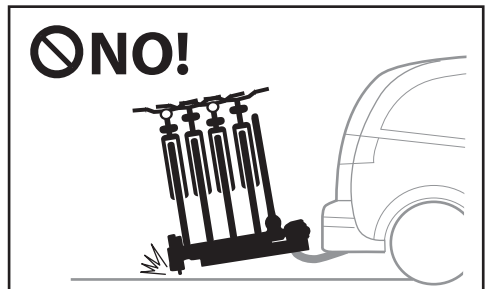
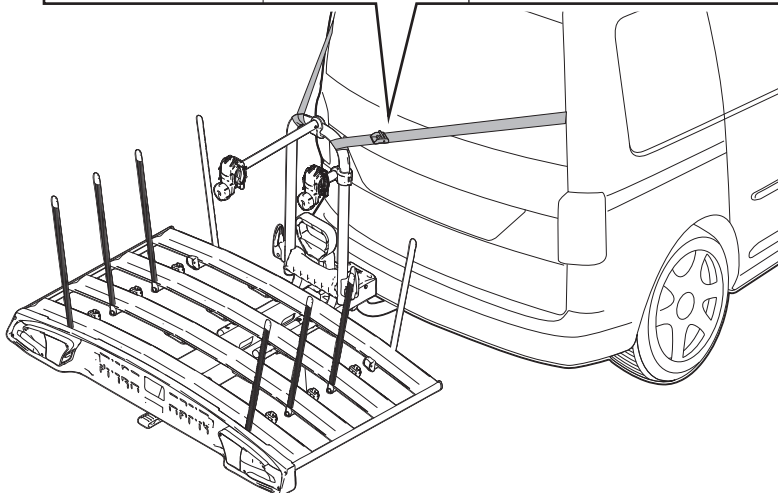
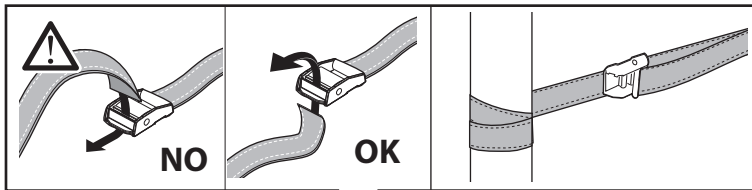
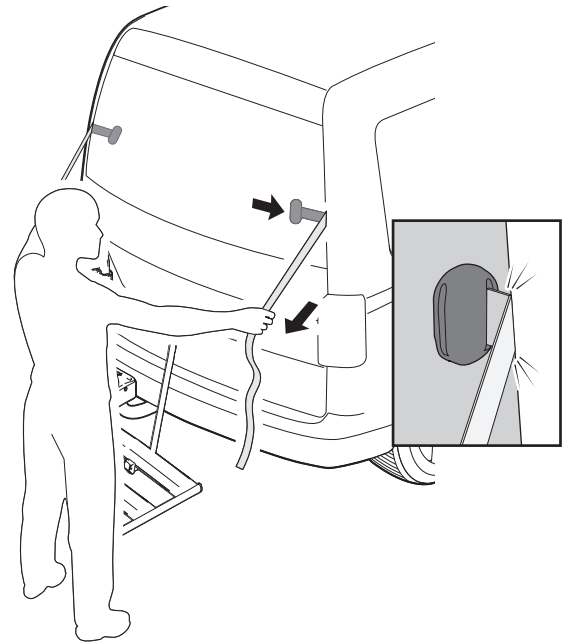
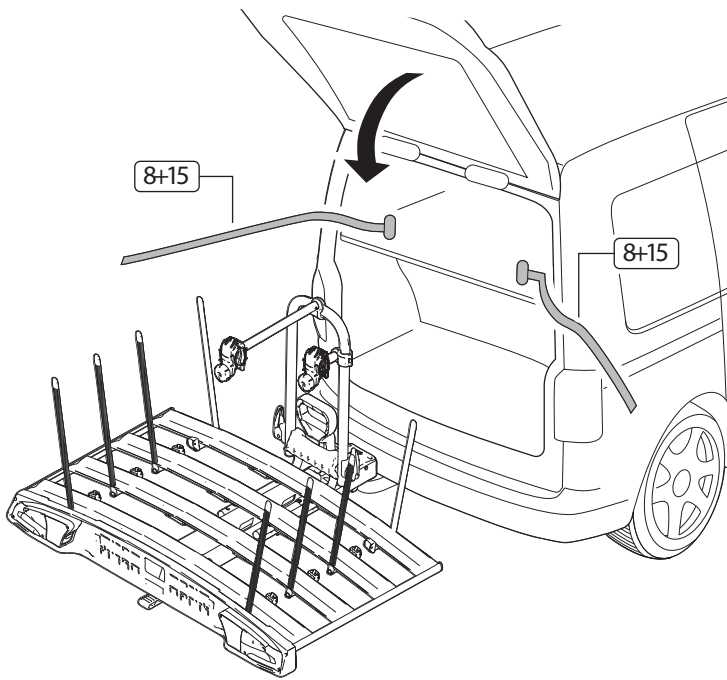
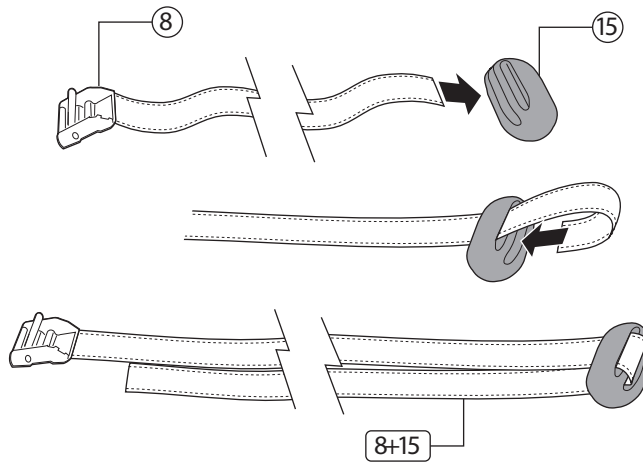
pag.8


OK

NO

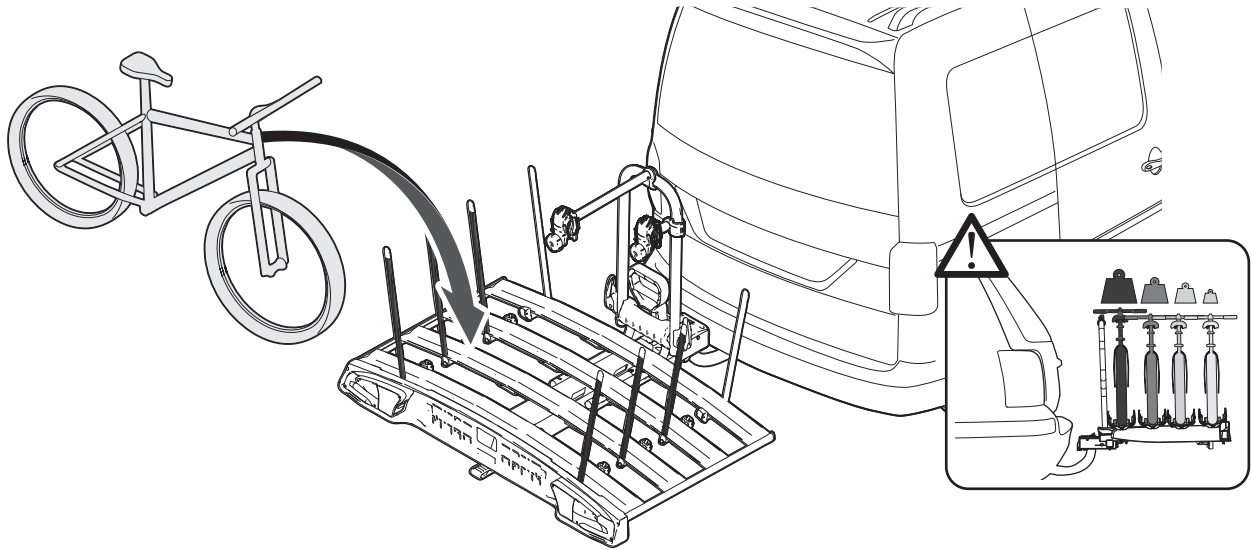


N.		Q.
8	 2,5m - 8ft	2
15		2



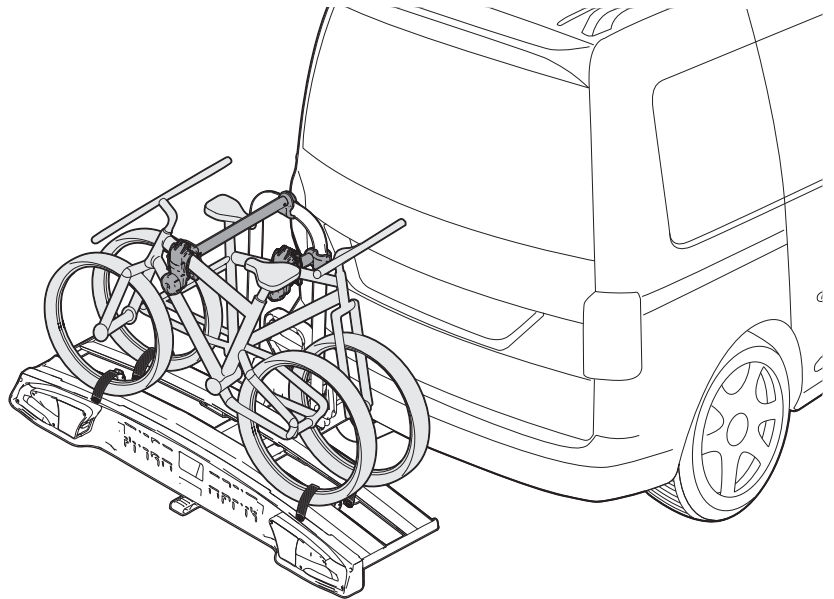
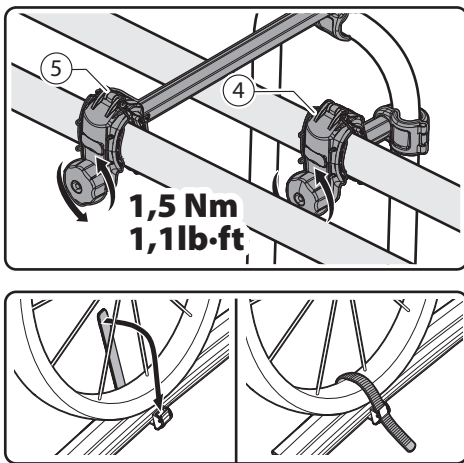
 **OBBLIGATORIO - OBLIGATORY - OBLIGATOIRE
OBLIGATORISCH - OBLIGATORIO**

⑧—ALCOR 2 / ALCOR 3 / ALCOR 4 / ACRUX 2 / ACRUX 3 / ACRUX 4

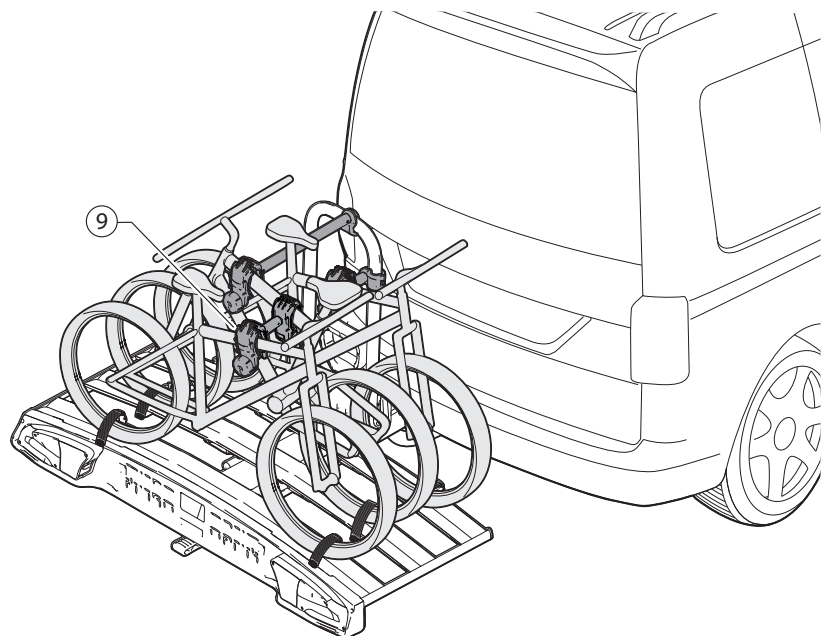
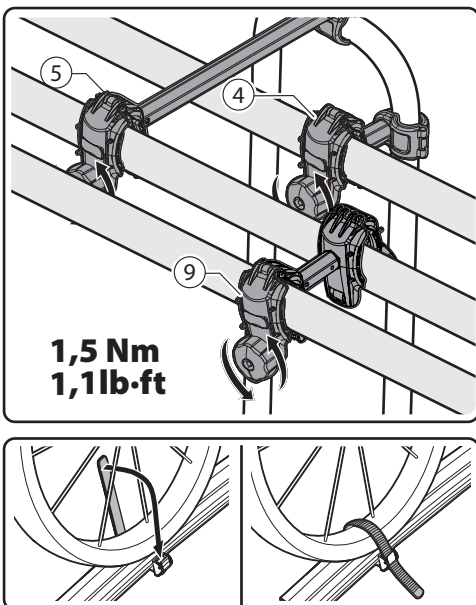


			MIN Ø30 mm / 1.2" MAX Ø50 mm / 2"		MIN 22" MAX 29"		MAX 110mm / 4.3"		MAX 1260mm / 49.6"
		MIN 30x60 mm / 1.2"x2.4" MAX 50x70 mm / 2"x2.7"			MAX 110mm / 4.3"				MAX 1260mm / 49.6"

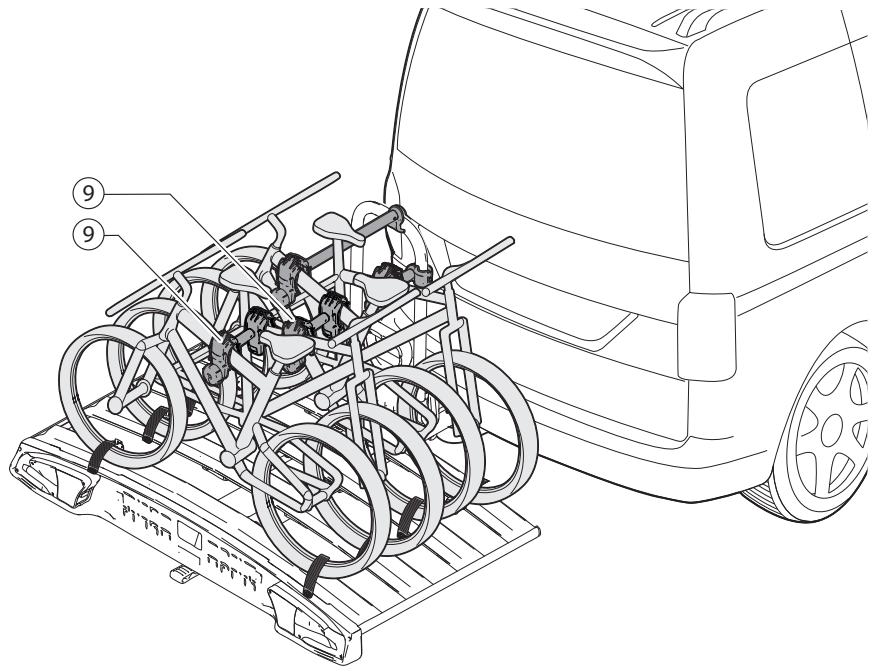
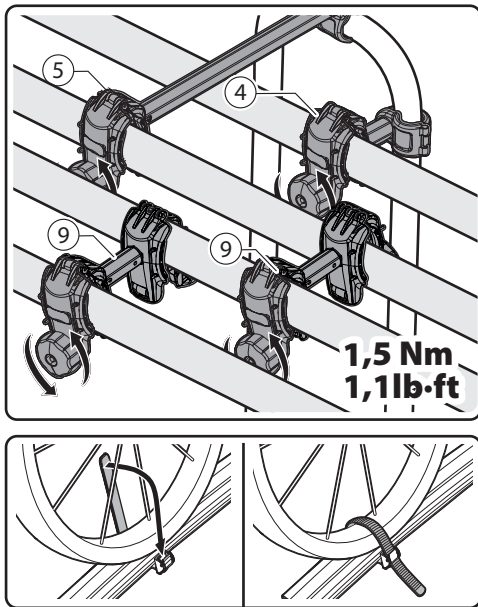
⑨a—ALCOR 2 / ACRUX 2



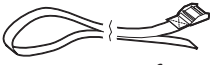
⑨b—ALCOR 3 / ACRUX 3

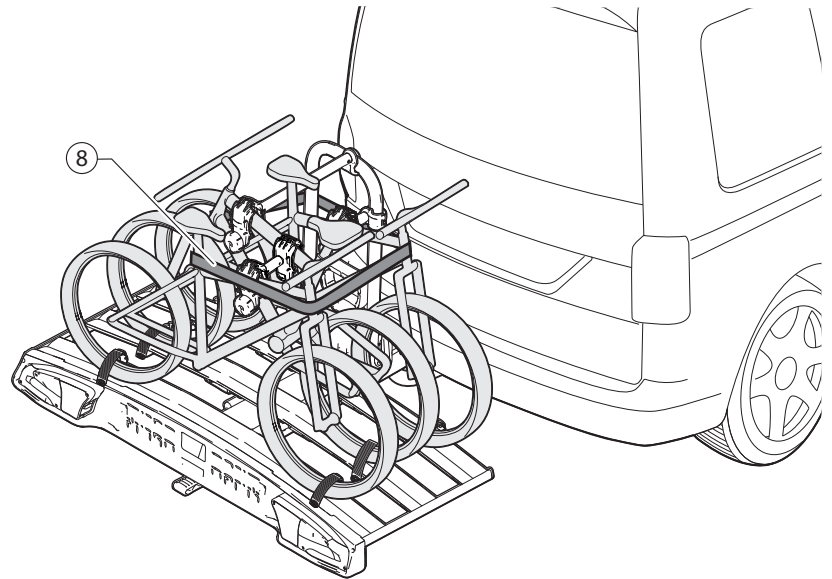


9c — ALCOR 4 / ACRUX 4

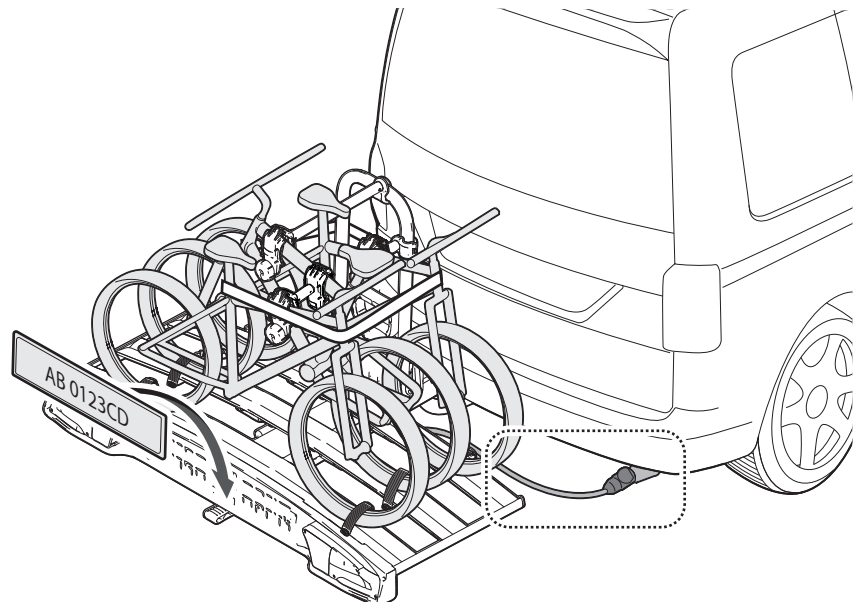
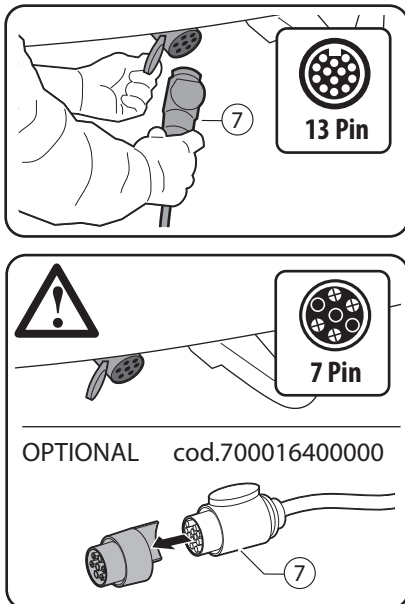


10 — ALCOR 2 / ALCOR 3 / ALCOR 4 / ACRUX 2 / ACRUX 3 / ACRUX 4

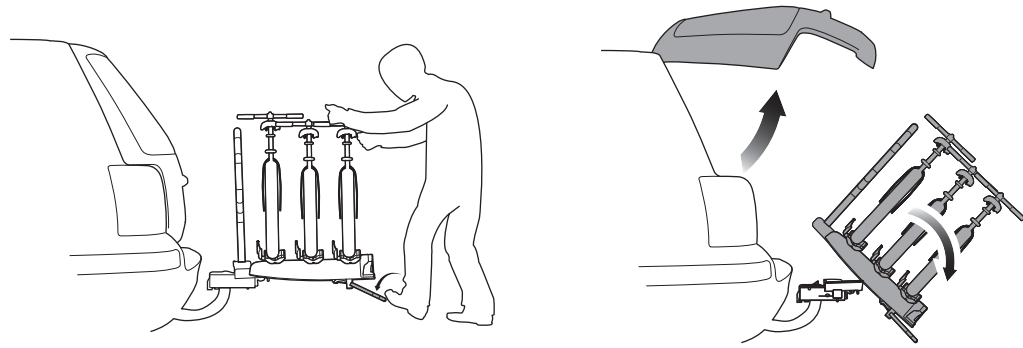
N		Q
8	 2,5 m - 8,2ft	1



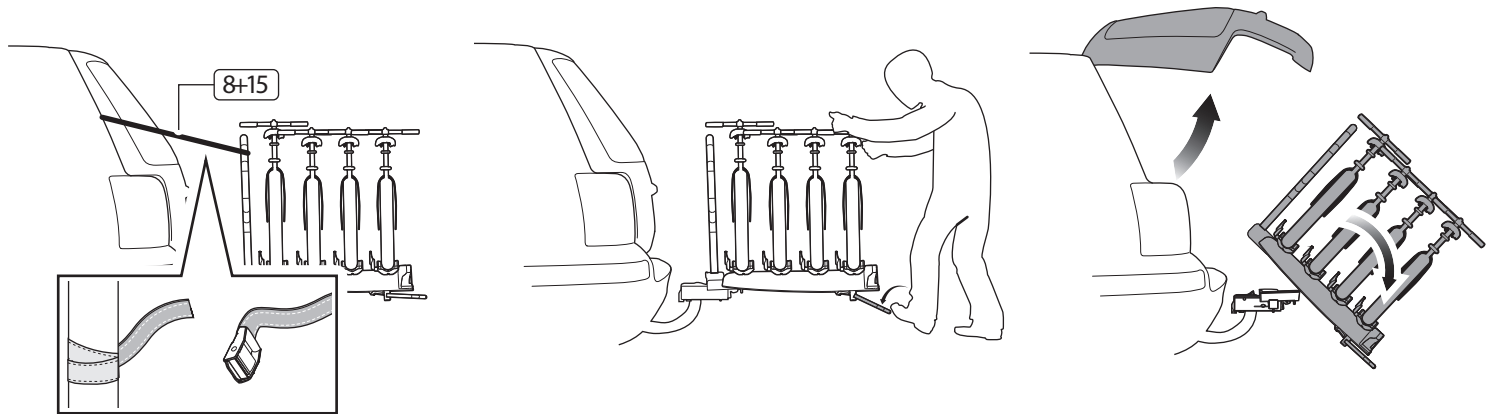
11 — ALCOR 2 / ALCOR 3 / ALCOR 4 / ACRUX 2 / ACRUX 3 / ACRUX 4




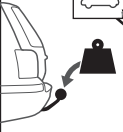






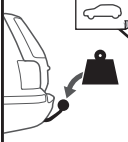


⑪—ALCOR 2-/ALCOR 3/ACRUX 2/ACRUX 3




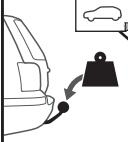




⑪—ALCOR 4/ACRUX 4

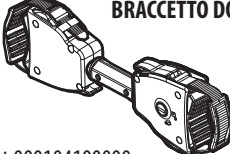
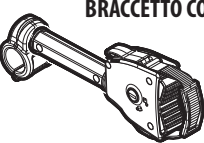
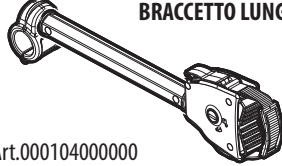
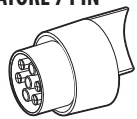
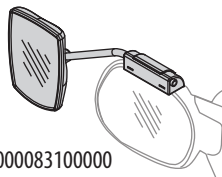
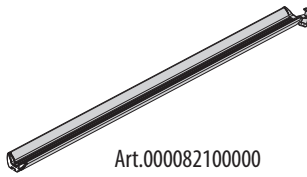
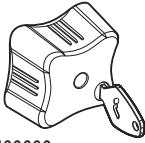


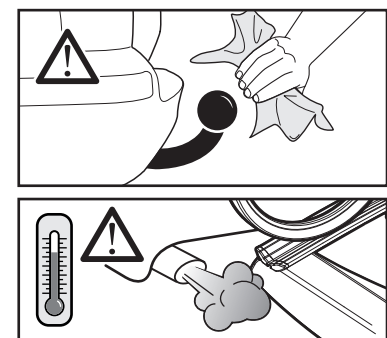
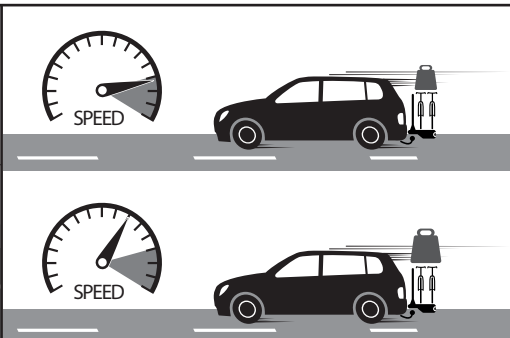
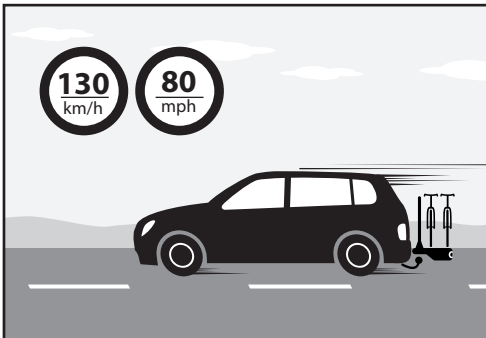
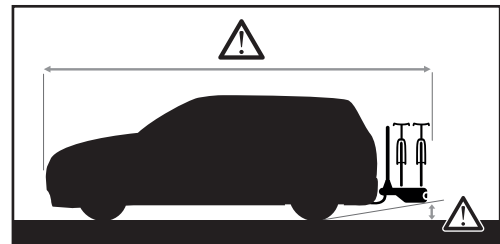
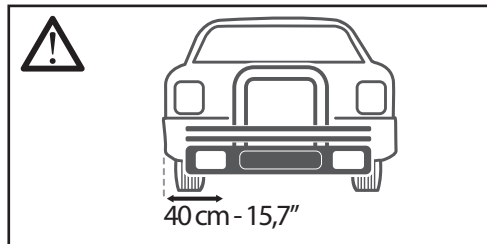
 94/20/CE STANDARD	 Alcor 2 / Acrux 2	Standard/E-bike x2 Fat bike	 	
		 MAX 30kg - 66,1lb		
		50 kg - 110,2lb		33,8 kg - 72,7lb
		60 kg - 132,3lb		43,8 kg - 94,8lb
		70 kg - 154,3lb		53,8 kg - 117lb
80 kg - 176,4lb	60 kg - 132,3lb			
>80 kg - 176,4lb	60 kg - 132,3lb			

 94/20/CE STANDARD	 Alcor 3 / Acrux 3	Standard x3	E-bike x2 Fat bike	 	
			OR		
		MAX 20kg - 44,1lb			MAX 30kg - 66,1lb
		50 kg - 110,2lb			32 kg - 70,5lb
		60 kg - 132,3lb			42 kg - 92,6lb
70 kg - 154,3lb	18 kg - 39,7lb		52 kg - 114,6lb		
80 kg - 176,4lb			60 kg - 132,2lb		
>80 kg - 176,4lb			60 kg - 132,2lb		

 94/20/CE STANDARD	 Alcor 4 / Acrux 4	Standard x4	E-bike x2 Fat bike	 	
			OR		
		MAX 15kg - 33lb			MAX 30kg - 66,1lb
		50 kg - 110,2lb			30,2 kg - 66,6lb
		60 kg - 132,3lb			40,2 kg - 88,6lb
70 kg - 154,3lb	19,8 kg - 43,6lb		50,2 kg - 110,6lb		
80 kg - 176,4lb			60 kg - 132,2lb		
>80 kg - 176,4lb			60 kg - 132,2lb		

OPTIONAL

 <p>BRACCETTO DOPPIO</p> <p>Art.000104100000</p>	 <p>BRACCETTO CORTO</p> <p>Art.000103900000</p>	 <p>BRACCETTO LUNGO</p> <p>Art.000104000000</p>	 <p>ADATTATORE 7 PIN</p> <p>Art.700016400000</p>
 <p>EVIDENCE MIRROR</p> <p>Art.000083100000</p>	 <p>RAMPA</p> <p>Art.000082100000</p>	 <p>POMELLO ANTIFURTO</p> <p>Art.000026400000</p>	



F.lli Menabò S.r.l.
 Via 8 Marzo, 3
 42025 Cavriago (RE) Italy
 Tel. +39-0522/942840
 Fax. +39-0522/942948
 e-mail: info@flli-menabo.it
 www.menabocaraccessories.com

Cod.Istr.	Data	Creato da	Approvato da
500031400001	24/04/2020	NP	EL