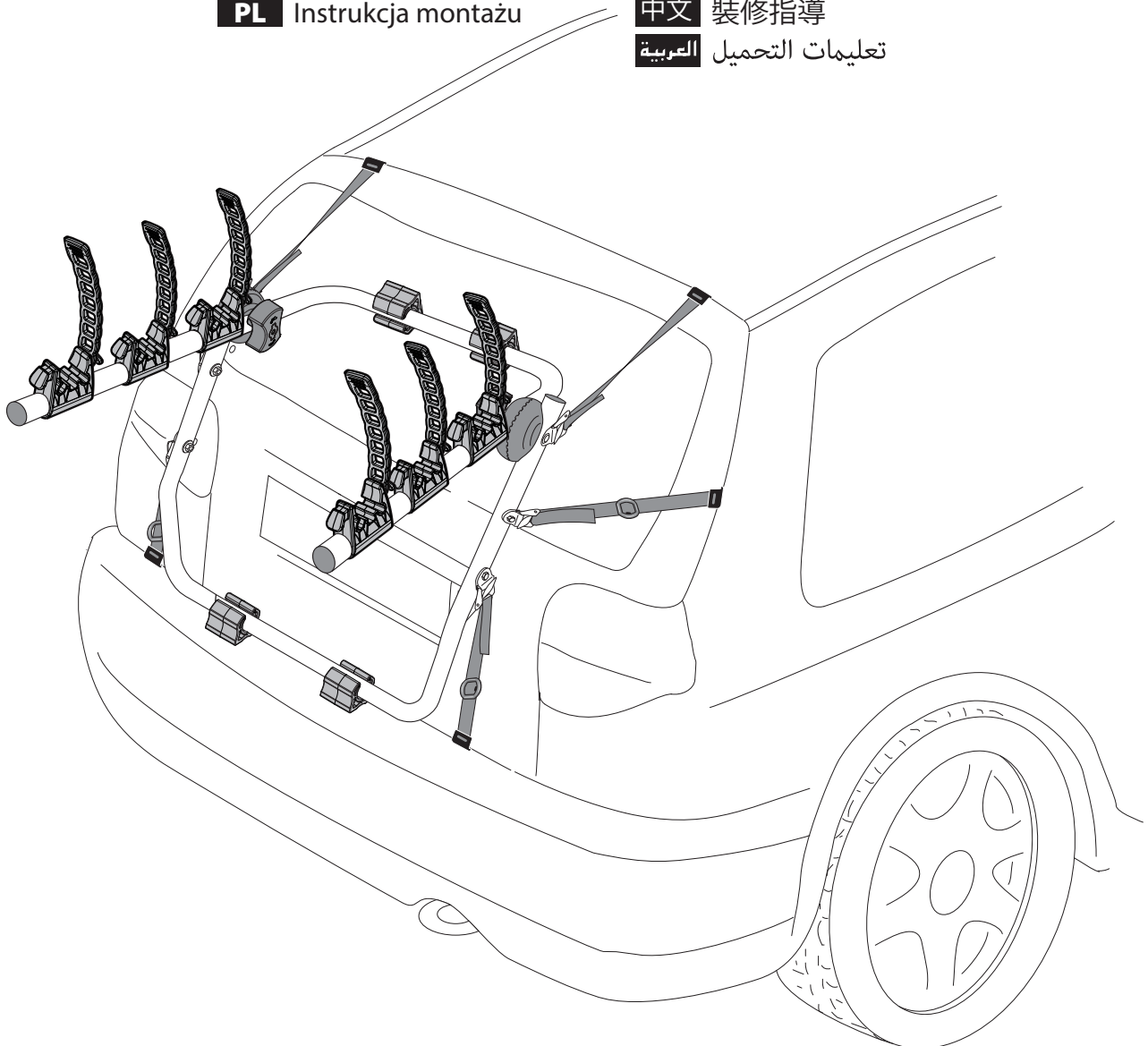


MISTRAL

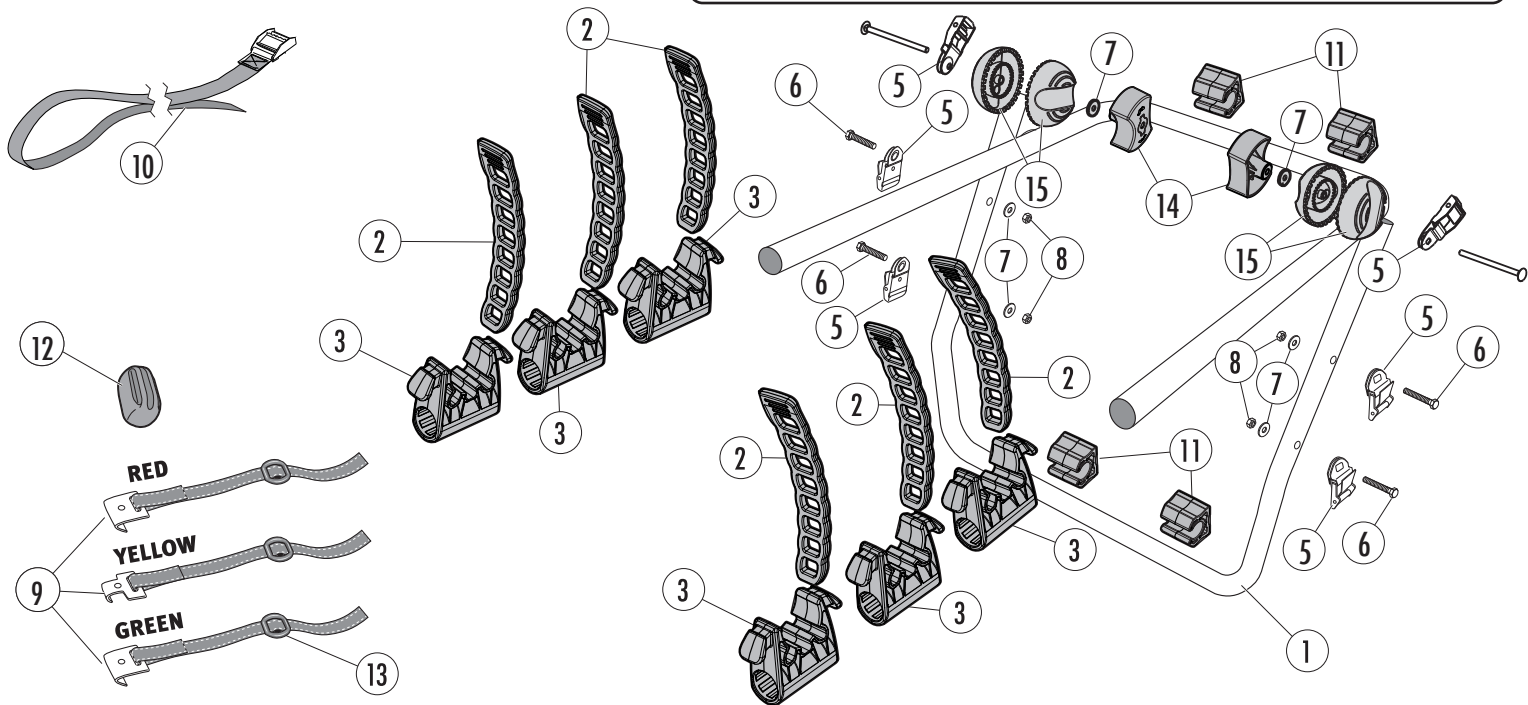
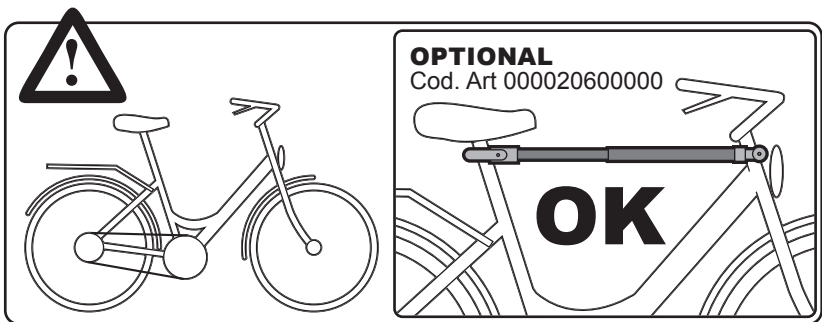
HORNET

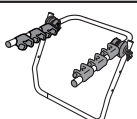

- | | | | |
|------------|-----------------------------|----------------|--------------------------|
| I | Istruzioni per il montaggio | RU | Инструкции по установке |
| GB | Fitting instructions | CZ | Návod na montáž |
| D | Montageanleitung | SK | Návod na montáž |
| F | Instructions de montage | SLO | Navodila za pritrjevanje |
| E | Instrucciones de montaje | HR | Uputa za sastavljanje |
| NL | Montage-instructies | HU | A felszerelés módja |
| PT | Instruções de Montagem | GR | Οδηγίες συναρμολόγησης |
| S | Monteringsanvisning | DK | Monteringsvejledning |
| FIN | Asennusohje | RO | Instrucțiuni de montare |
| EST | Paigaldusjuhend | TK | Uydurma talimat |
| LAT | Stiprināšanas instrukcija | DK | Montering instruktion |
| LIT | Pritvirtinimo instrukcijos | N | Monteringsveiledning |
| PL | Instrukcja montażu | 中文 | 裝修指導 |
| | | العربية | تعليمات التجميل |

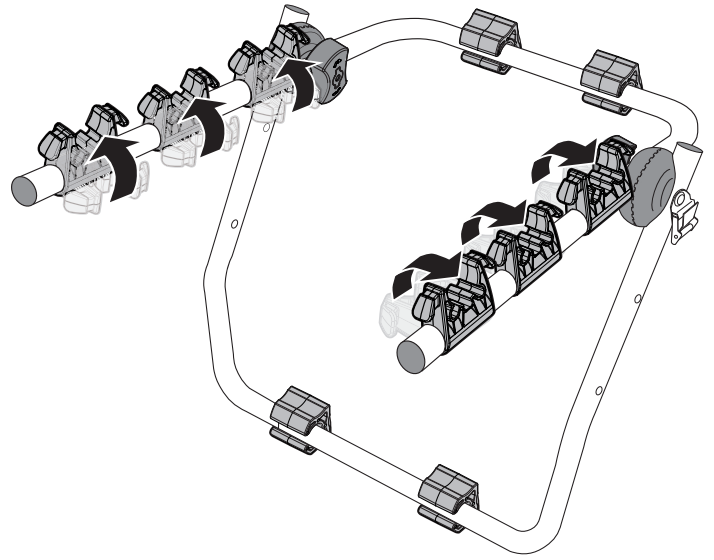
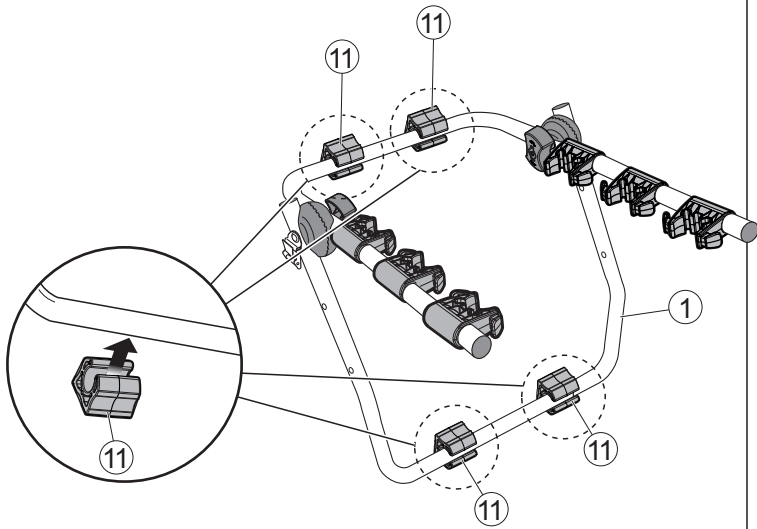


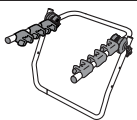

N.	I Componenti (Inclusi)		Q.
	GB Components (Included)	F Composants (Comprises)	
1			1
2			6
5			4
6			4
7			4
8			4
9		RED 	2
		YELLOW 	2
		GREEN 	2
10			1
11			4
12			4
13			4

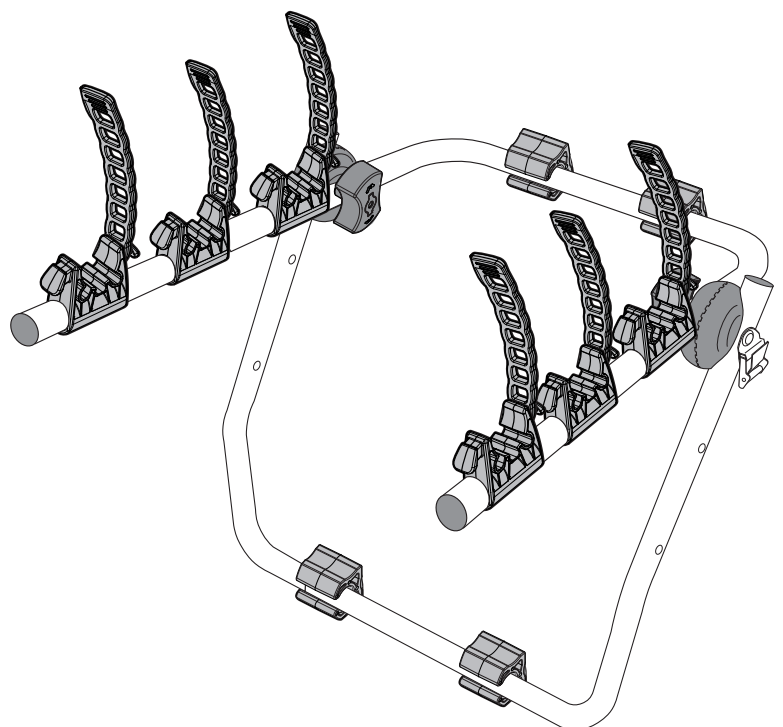
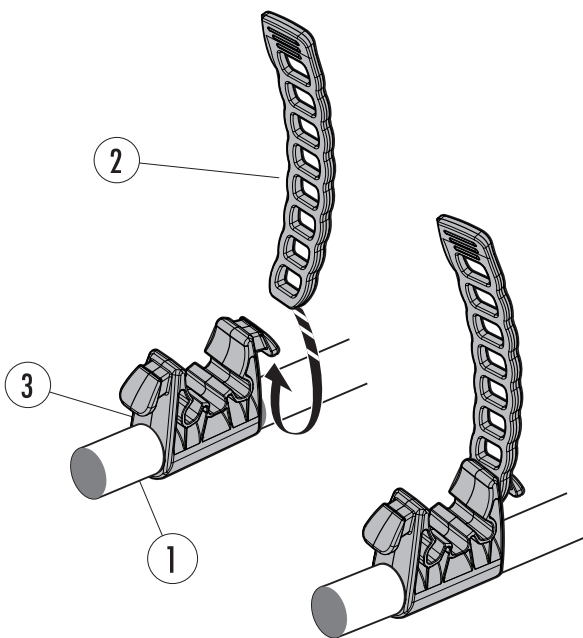
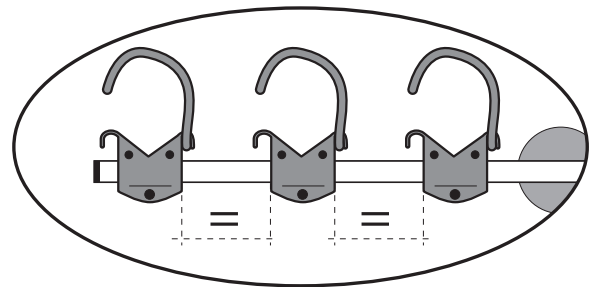
N.	I Ricambi (A Richiesta)		Q.	Codice Code Code Code Código код
	GB Spare Parts (Made to order)	F Pièces de rechange (Sur commande)		
2			1	700016900000
3			1	
5			4	700001800000
6			4	
7			4	
8			4	
9			1	700002200000
10			1	700001100000
11			1	700015600000
12			4	700002600000
13			2	700002400000
14			1	700017000000
15			2	700002000000

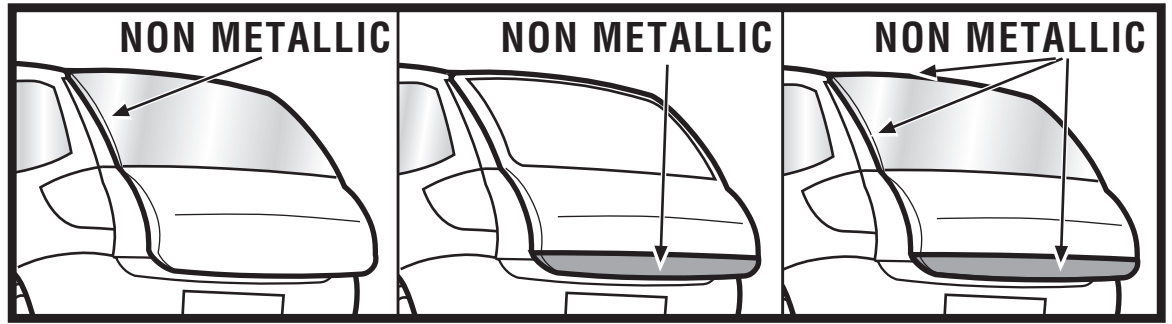



N.		Q.
1		1
11		4

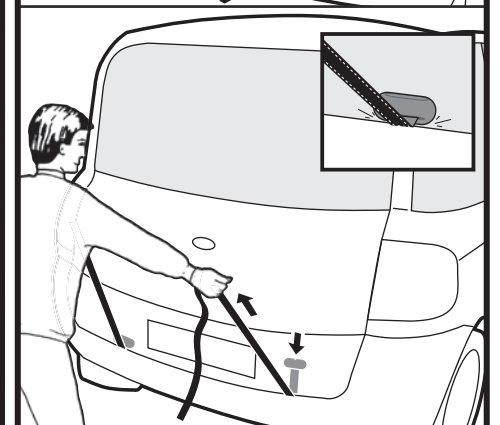
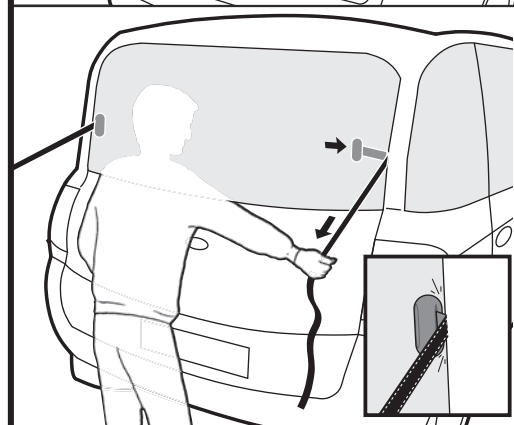
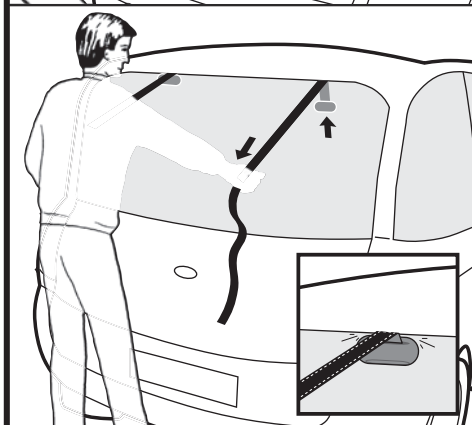
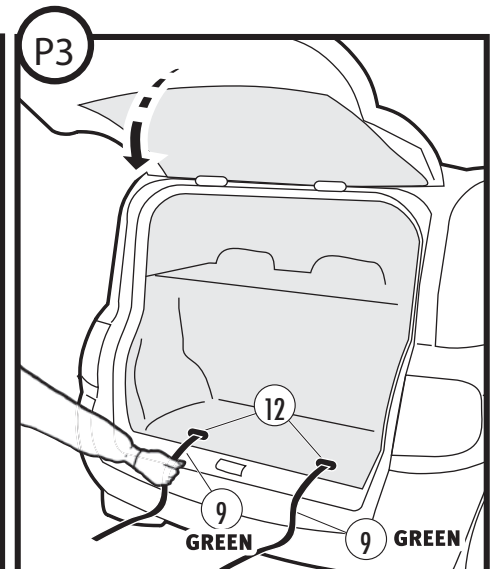
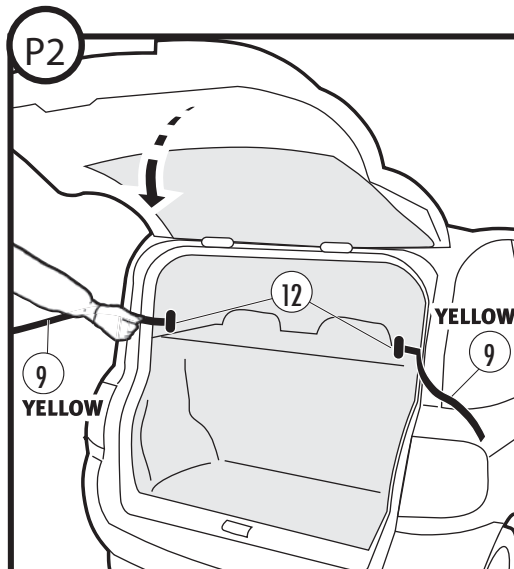
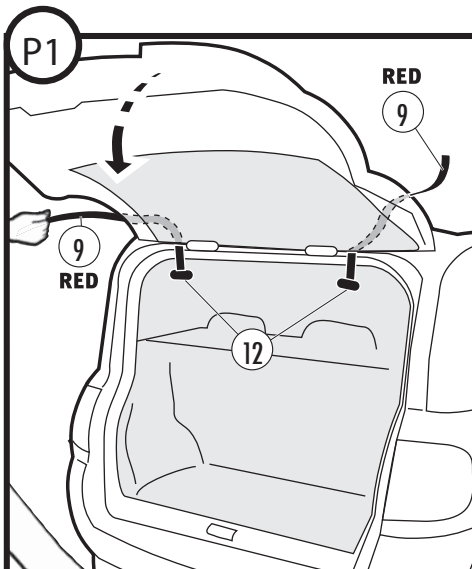
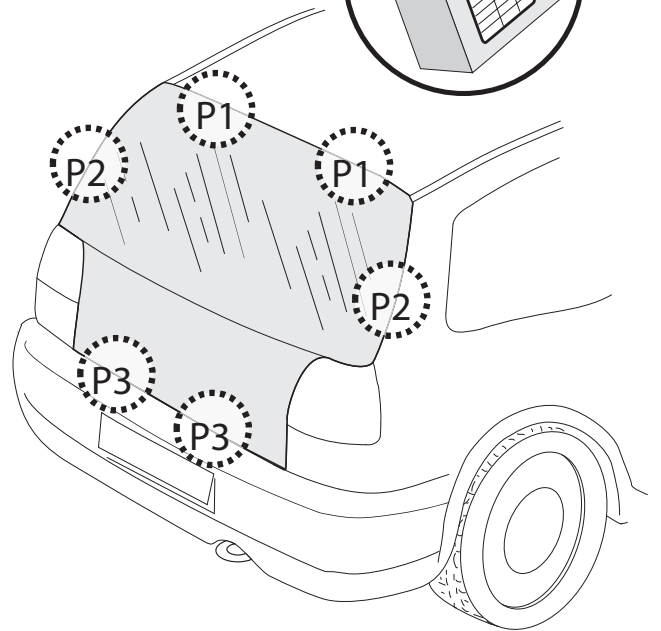
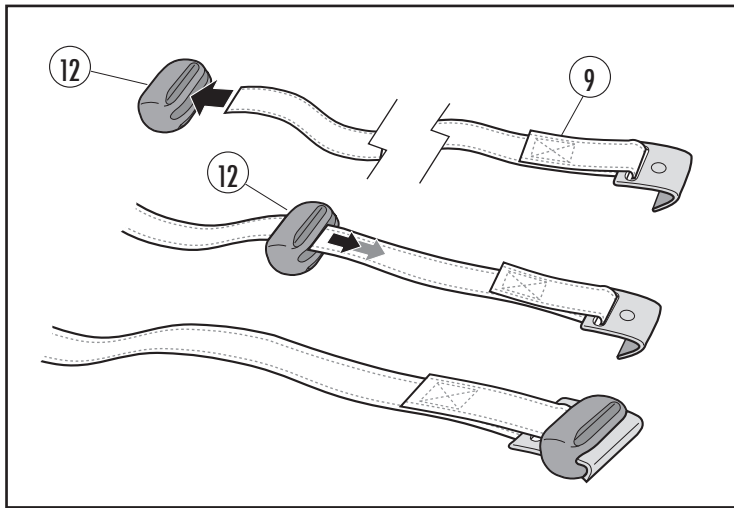
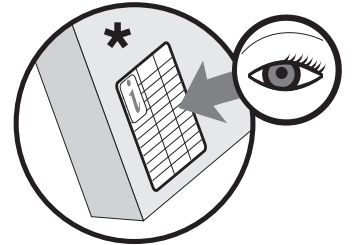


N.		Q.
1		1
2		6

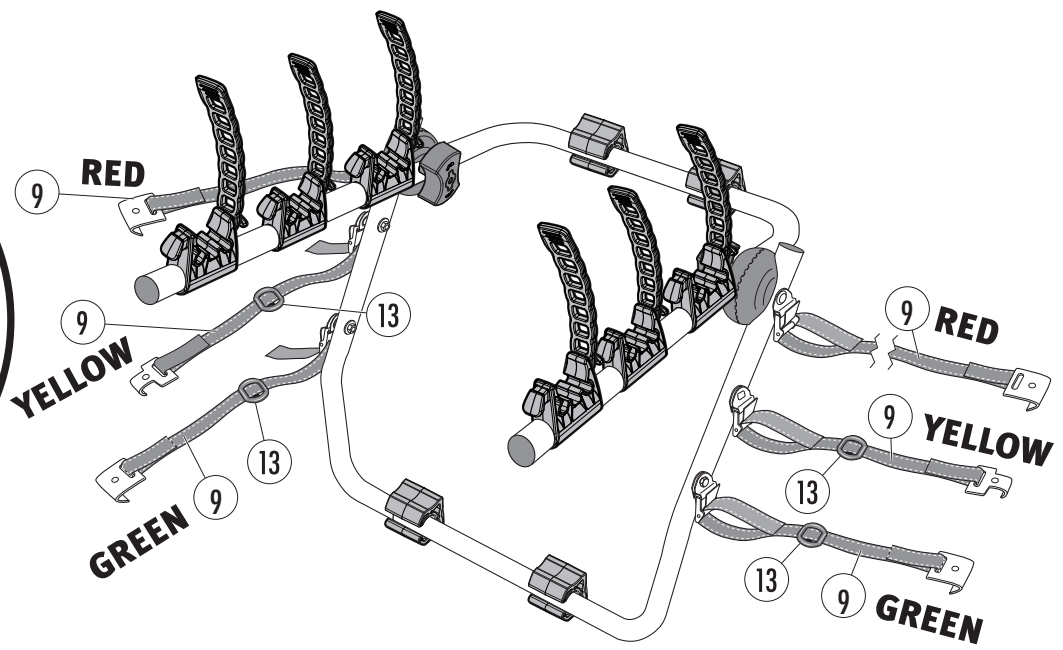
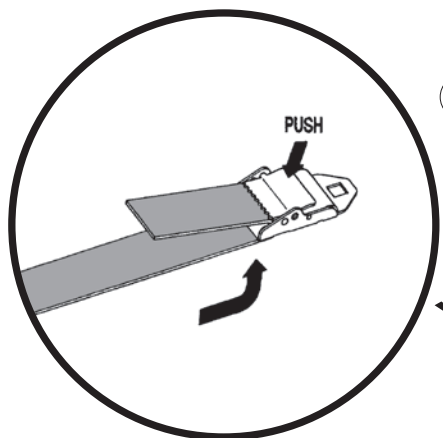
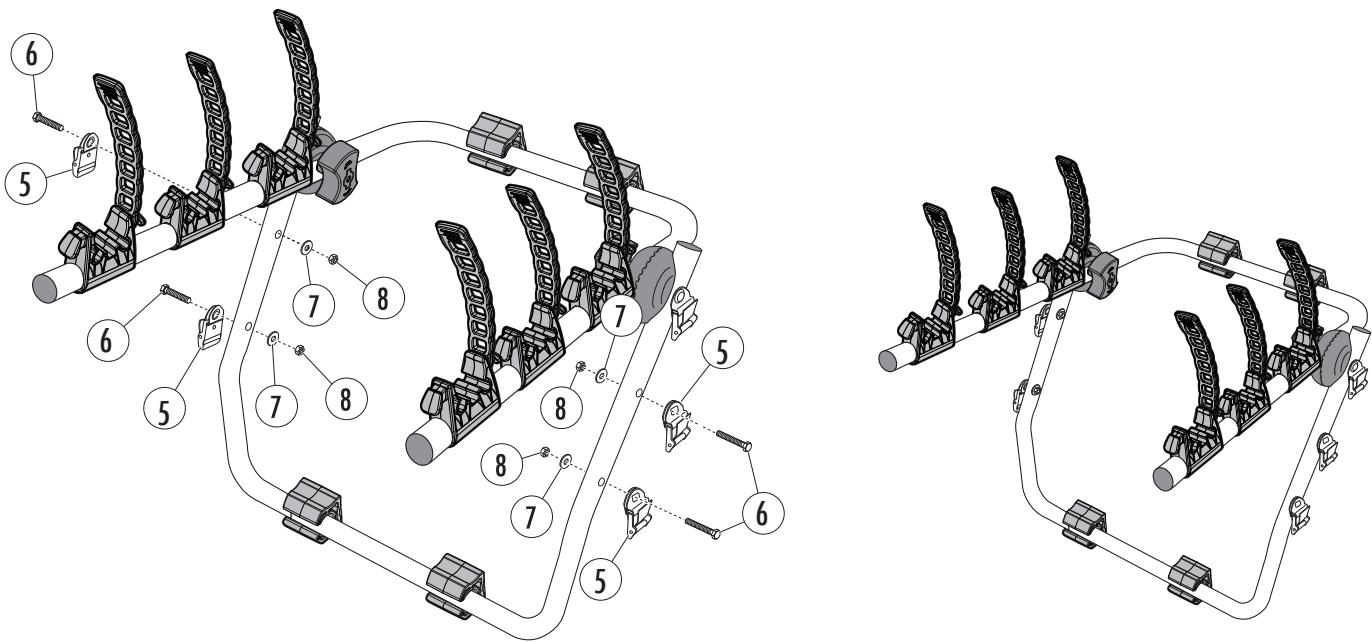


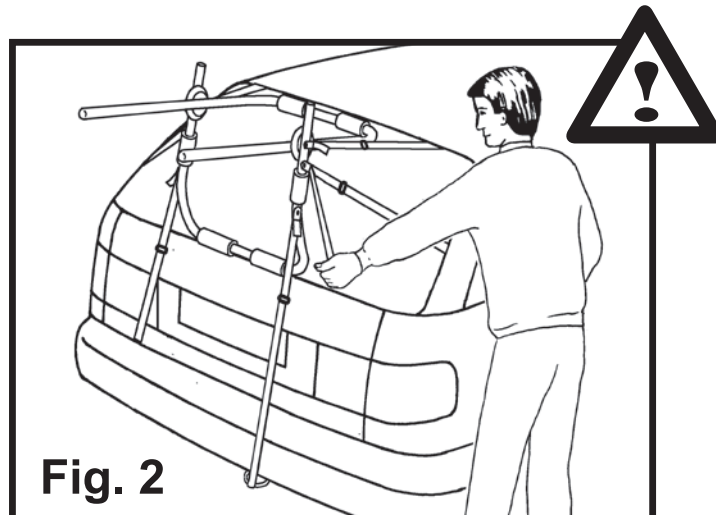
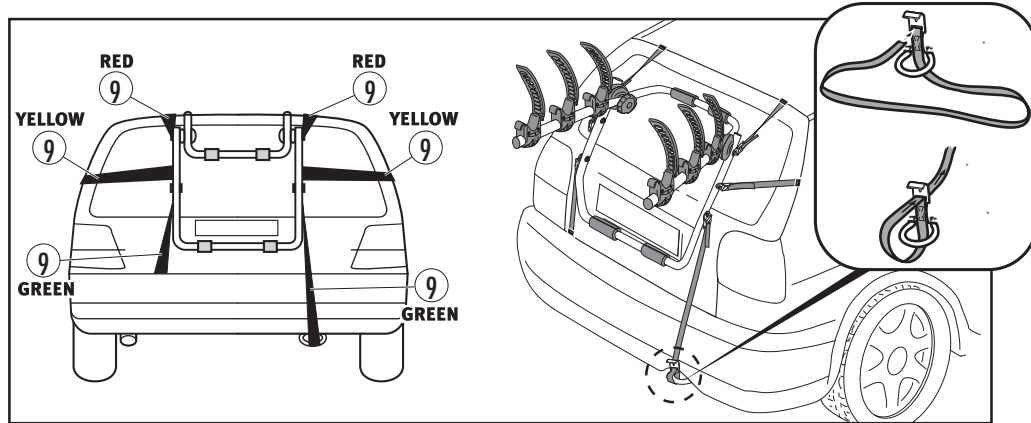
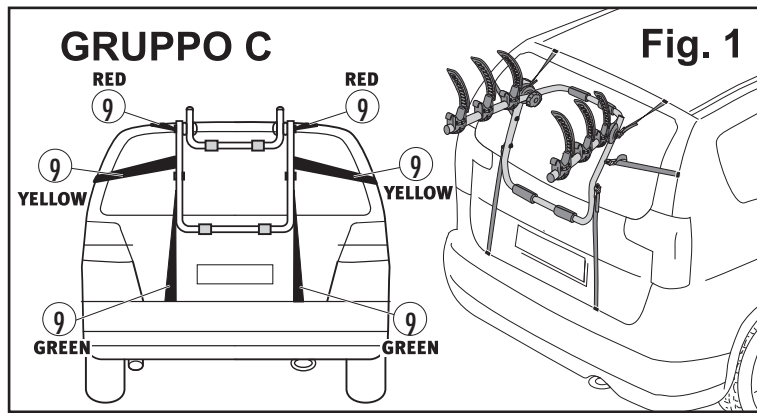
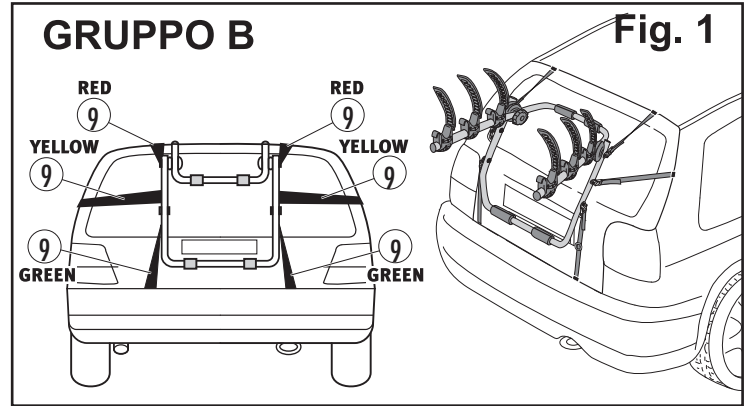
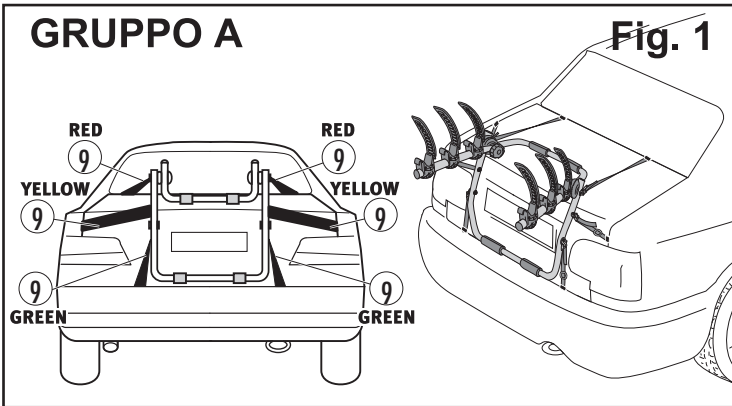


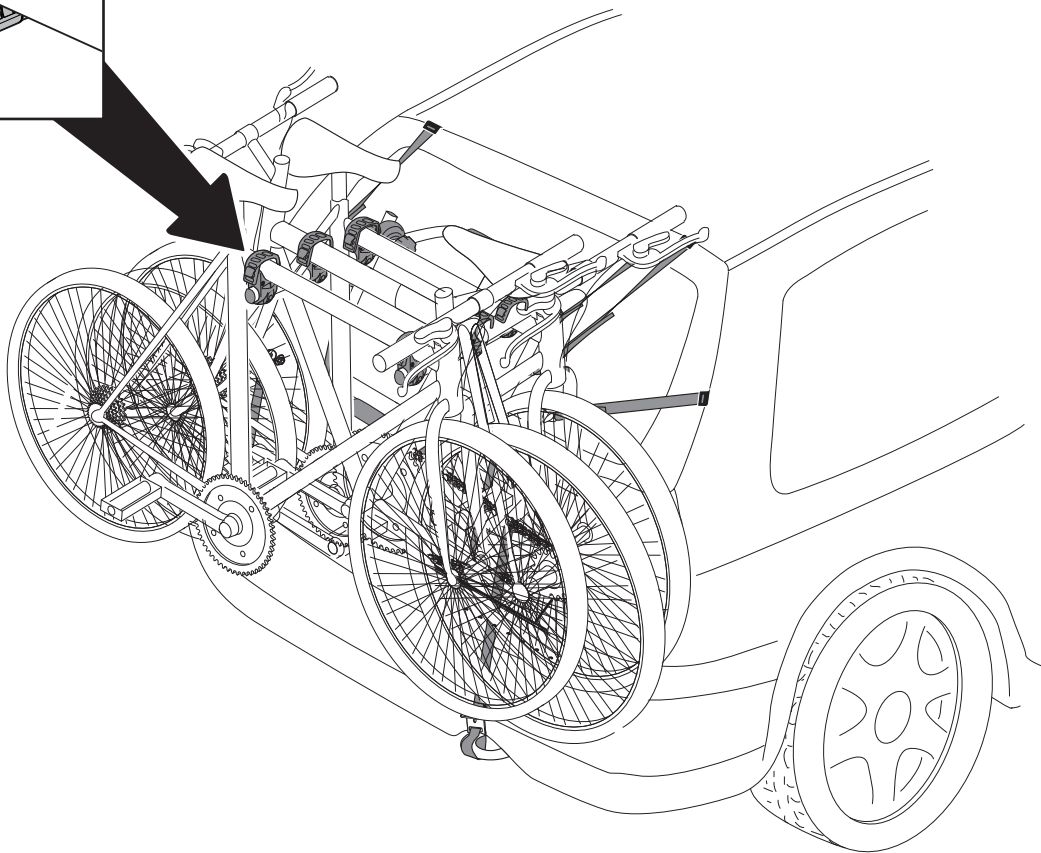
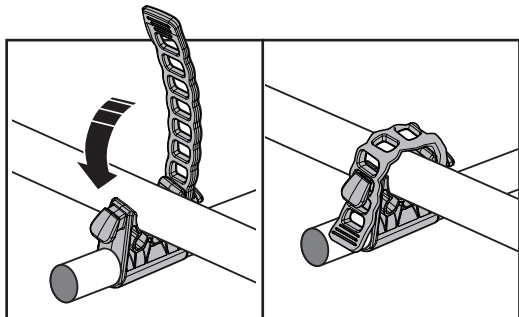
N.		Q.
12	 *	2/4




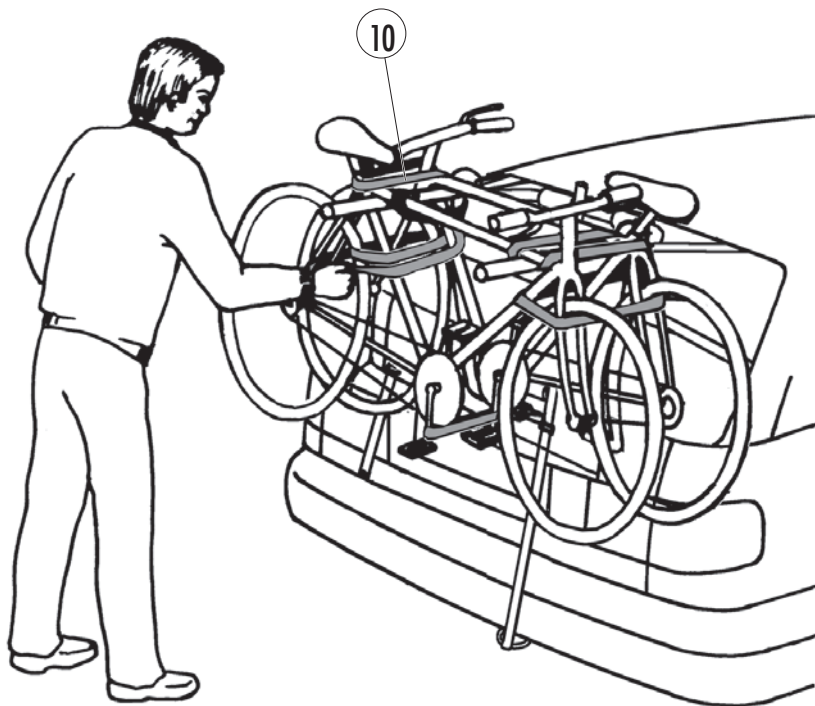
N.		Q.	
8		4	
6		4	
5		4	
7		4	
9		RED 	2
		YELLOW 	2
		GREEN 	2
13		4	

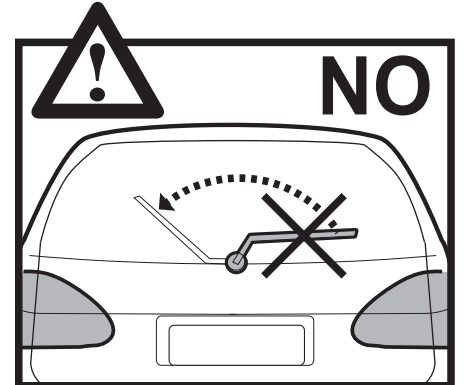
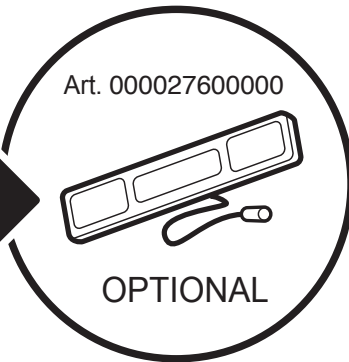
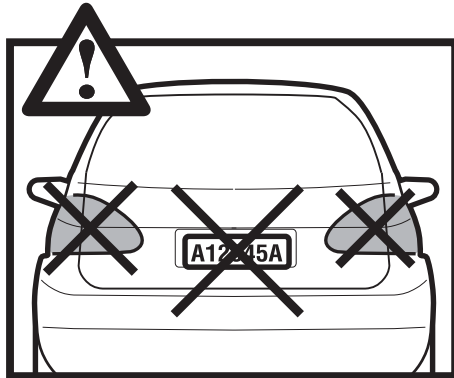
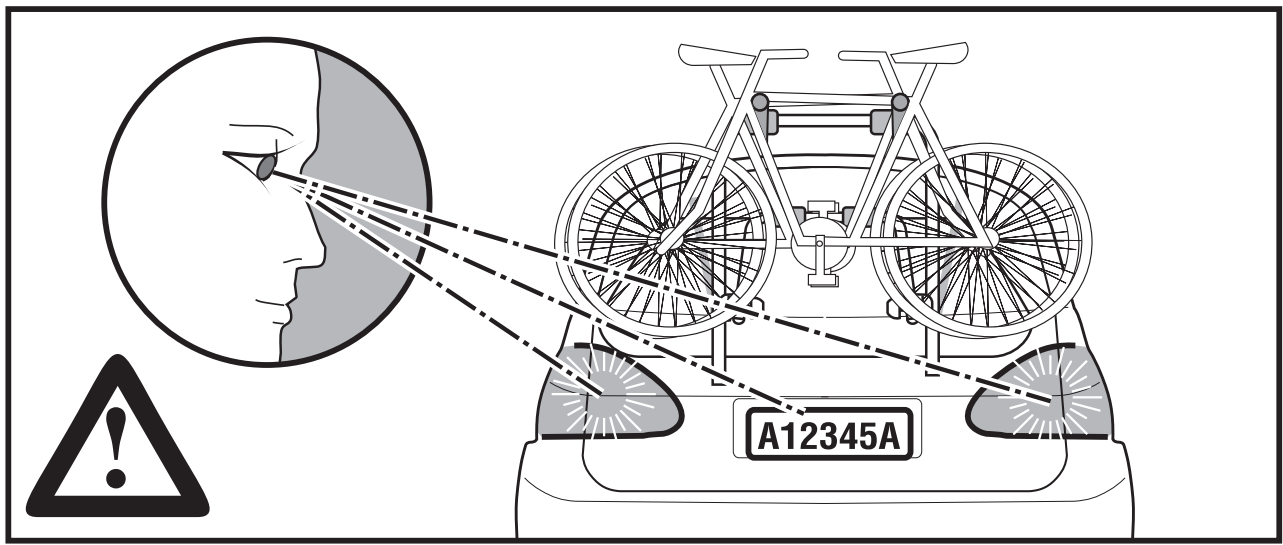






N.		Q.
10	 ~2,5MT	1





		+	
	MISTRAL HORNET	4,4 kg	

Cod. Art.	Cod. istr.	Data	Creato da	Approvata da
000009000000	100021400002	03/06/2015	NP	EL
000009000000				

MENABO

Via 8 Marzo, 3 - Z.I. Corte tegge
 42025 CAVRIAGO (RE) ITALY
 Tel. +39-0522/942840 r.a. - 942798
 Fax +39-0522/942948

e-mail: info@fli-menabo.it - http://www.fli-menabo.it

